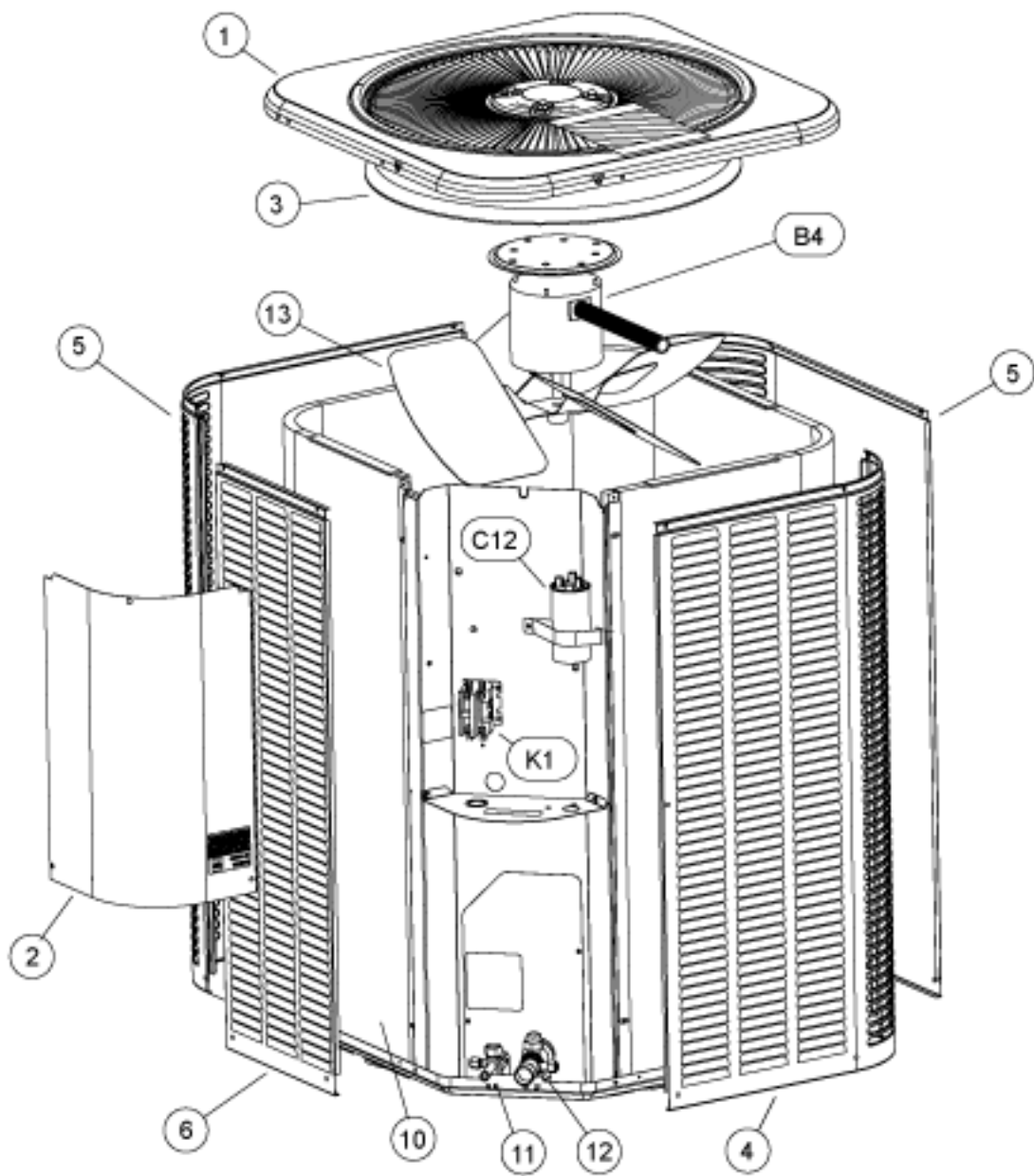
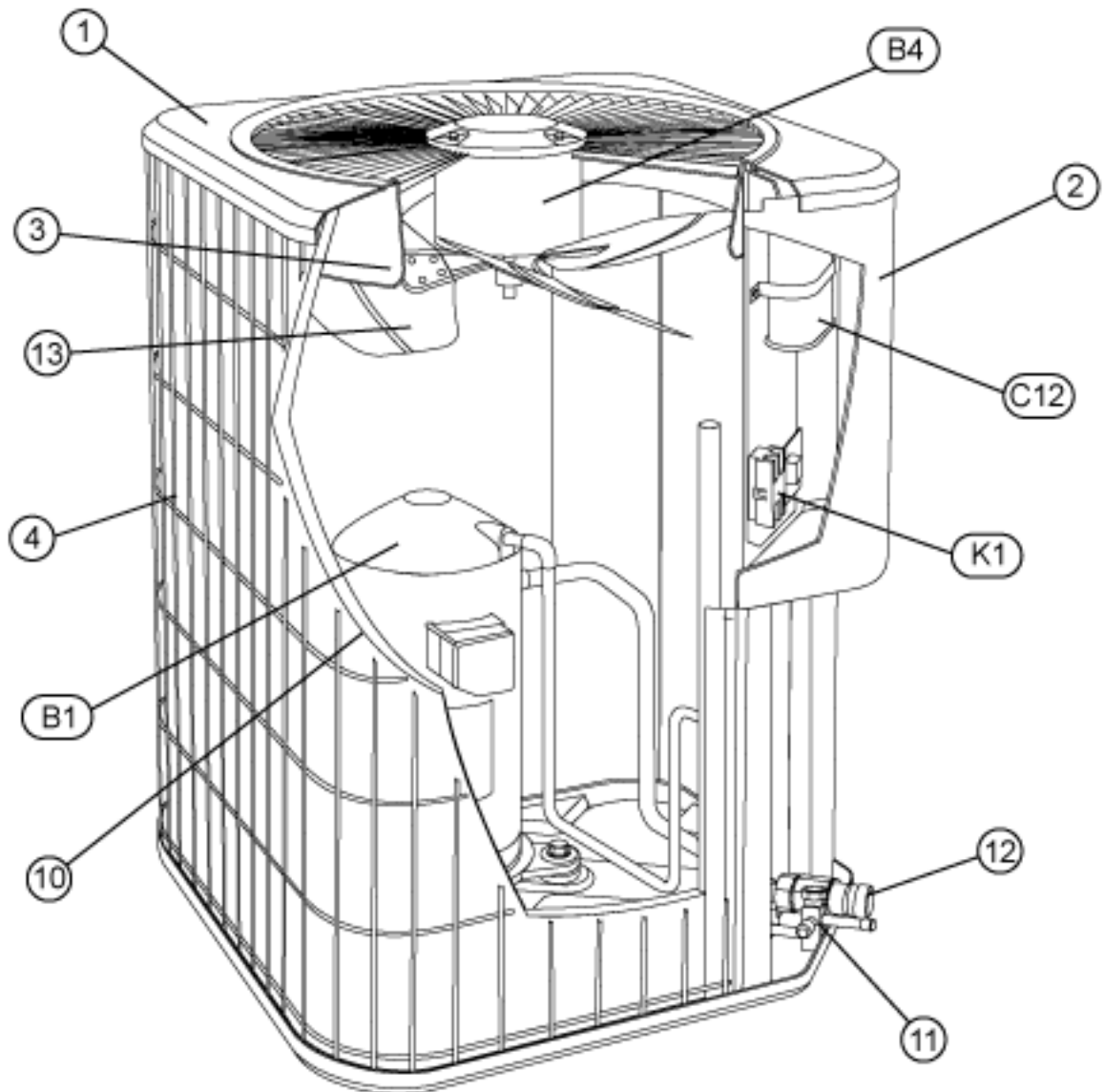


13ACX W/LOUVERED PANELS



13ACX SERIES



13ACX-024-230				DASH/Revision # with Qty					
Key	Part Name	Part Number	Description	1	2	3	10	11	12
Category:CABINET PARTS									
1	PANEL-TOP	102076-01	PANEL - TOP 24 X 24				1	1	
1	PANEL-TOP	LB-86265G	TOP PANEL (24X24)(QUARTZ GRAY)	1	1	1			
1	PANEL-TOP 24 X 24	102420-01	PANEL-TOP 24 X 24						1
1	PANEL-TOP 24 X 24	102876-01	PANEL-TOP 24 X 24						
1	PANEL-TOP 24 X 24, Paint QUARTZ GRAY	102420-01P	PANEL-TOP 24 X 24, QUARTZ GRAY						
2	COVER-CONTROL BOX	102073-01	COVER - CONTROL PANEL				1	1	1
2	COVER-CONTROL BOX	LB-86268G	COVER-CONTROL PANEL (QUARTZ GRAY)	1					
2	COVER-CONTROL BOX	LB-86271G	COVER-CONTROL PANEL (QUARTZ GRAY)		1	1			
	PLATE - PATCH	102097-01	PLATE - PATCH						
3	ORIFICE	100001-03	"18"****	1	1	1	1	1	1
B1	COVER	69J0301	SOUND-COMPRESSOR (OPTIONAL)	1	1	1	1	1	1
4	GUARD- COIL	100315-02	OUTDOOR COIL	1		1			
4	GUARD- COIL	100315-05	OUTDOOR COIL		1		1	1	
4	MESHING-COIL	100231-09	"36" X 90" (CUT OT FIT)"	1	1	1	1	1	
4	PANEL - LOUVER (RIGHT)	603153-01	RIGHT						1
4	PUSH PIN-MESHING	100230-06	PIN-PUSH			6	6	6	
4	PUSH PIN-MESHING	R100230-01	PIN-PUSH	6	6				
	COVER	69J0301	SOUND-COMPRESSOR (OPTIONAL)	1	1	1	1	1	1
	LEG	LB-87156A	BASE(SET OF 4)	1	1	1	1	1	1
	MESHING-COIL	100231-09	"36" X 90" (CUT OT FIT)"	1	1	1	1	1	
	NUT-CAP	100094-01	TOP PANEL			4	4	4	4
	NUT-CAP	68J4101	TOP PANEL	4	4				
	PUSH PIN-MESHING	100230-06	PIN-PUSH			6	6	6	
	PUSH PIN-MESHING	R100230-01	PIN-PUSH	6	6				

13ACX-024-230				DASH/Revision # with Qty					
Key	Part Name	Part Number	Description	1	2	3	10	11	12
5	PANEL - LOUVER (CENTER)	603154-01	CENTER						2
6	PANEL - LOUVER (LEFT)	603155-01	LEFT						1
Category:COOLING PARTS									
10	COIL-OUTDOOR	604750-13	W/MANIFOLD						1
10	COIL-OUTDOOR	LB-87170CG	W/MANIFOLD	1					
10	COIL-OUTDOOR	LB-87170DL	W/MANIFOLD						
10	COIL-OUTDOOR	LB-87170DS	W/MANIFOLD		1	1	1	1	
	KIT	100484-08	RFC (.057)	1	1		1	1	1
11	VALVE-SERVICE	100432-01	"LIQUID-LINE,3/8""	1	1	1	1	1	1
12	VALVE-SERVICE	100432-02	"SUCTION LINE,3/4""	1	1	1	1	1	1
12	VALVE-SERVICE	100432-04	"SUCTION LINE, 5/8"						
13	FAN	100060-04	"1/2""BORE,18""DIA,3 BLADE"	1					
13	FAN	100060-07	"1/2""BORE,18""DIA,3 BLADE"		1		1	1	1
13	FAN	100060-09	"1/2""BORE,18""DIA,4 BLADE"			1			
B1	COMPRESSOR	100040-02	"1.5 TON,208-230/60/1,COPE (FOOTNOTE 1)	1	1	1	1		1
B1	COMPRESSOR	101995-02	"1.5 TON,208-230/60/1,LII / IN TERLINK(FO					1	
B1	COMPRESSOR APA020K AA	101995-10	COMPRESSOR APA020KAA						
			RELAY-OVERLOAD COMP-INTERNAL	1	1	1	1	1	1
	HARNESS-COMP	15M3501	MOLDED PLUG	1	1	1	1		1
	HARNESS-COMP (REPAIR)	102111-01	MOLDED PLUG					1	
	MOUNT PKG-COMP	15J1301PR	MOUNT PKG-COMP	1	1	1	1	1	1
	MOUNT PKG-COMP	LB-106528	MOUNT PKG-COMP						
B4	MOTOR-FAN	100483-02	"1/5HP,1075RPM,208-230/60/1 (FOOTNOTE 2	1					
B4	MOTOR-FAN	100483-04	"1/10HP,1075RPM,208-230/60/1"		1				
B4	MOTOR-FAN	100483-22	"1/4HP,1080RPM,208-230/60/1"			1			

13ACX-024-230				DASH/Revision # with Qty					
Key	Part Name	Part Number	Description	1	2	3	10	11	12
B4	MOTOR-FAN	100483-23	"1/10HP,1075RPM,208-230/60/1"				1	1	1
B4	MOTOR-FAN 1/10 HP 208/230V 60HZ 1075RPM	100483-35	"1/10HP,1075RPM,208-230/60/1"						
	CORE-VALVE	100210-01	CORE - VALVE	1	1	1	1	1	1
	DRIER	100214-03	"LIQUID LINE (FOOTNOTE 1)"	1	1	1	1	1	1
	DRIER	88K4401	SUCTION LINE (OPTIONAL)	1	1	1	1	1	1
	FITTING-PRESS TAP	100520-01	PRESSURE TAP	1	1	1	1	1	1
HR1	HEATER-CRANKCASE	100499-01	"40 WATT, 240 VOLT (OPTIONAL)"	1	1	1	1	1	1
S173	SWITCH-THERMAL	103048-01	THERMAL SWITCH ASSEMBLY (REPAIR)					1	
	COVER-THERMAL SWITCH	103048-02	THERMAL SWITCH COVER ASSEMBLY (REPAIR)					1	
S4	SWITCH-HI PRESS-AUTO	100087-12	CUTOUT 590 PSIG						
S4	SWITCH-HI PRESS-MANUAL	100103-02	CUTOUT 590 PSIG	1	1				
S4	SWITCH-HI PRESS-MANUAL	100103-03	CUTOUT 590 PSIG			1	1	1	1
S49	FREEZSTAT	93G3501	"SPST OPEN 29F, CLOSE 58F"			1			
Category:INTERLINK ALTERNATE FOR COPELAND COMP.									
	COMPRESSOR	101995-02	COMPRESSOR APA020KAA W/HARNESS	1	1	1	1		1
	COVER-THERMAL SWITCH	103048-02	THERMAL SWITCH COVER ASSEMBLY (REPAIR)	1	1	1	1		1
	HARNESS-COMP (REPAIR)	102111-01	HARNESS -WIRE (REPAIR)	1	1	1	1		1
	SWITCH-THERMAL	103048-01	THERMAL SWITCH ASSEMBLY (REPAIR)	1	1	1	1		1
Category:COPELAND ALTERNATE FOR INTERLINK COMP.									
	COMPRESSOR	100040-02	COMPRESSOR ZP20K5E-PFV L/HARNESS					1	
	HARNESS-COMP	15M3501	15M3501 HARNESS-MOLDED PLUG 1PH					1	
Category:CONTROL PANEL PARTS									
A46	CONTROL-HEAD PRESS	X586701	HO 814-10EH HEAD PRES CONTRL 1 15,208-230			1			
C1	CAPACITOR-FAN	100463-08	"10MFD, 440VAC"			1			
C12	CAPACITOR-FAN&RUN	100335-06	"35+5MFD,440VAC"	1	1	1	1	1	1

13ACX-024-230				DASH/Revision # with Qty					
Key	Part Name	Part Number	Description	1	2	3	10	11	12
K1	CONTACTOR	100438-01	"SPST,24V"	1	1	1	1	1	1
Category:*OPTIONAL PARTS-FIELD INSTALLED									
LC KIT	LOSS OF CHARGE KIT	LB-110135A	INC NEXT PART	1	1	1	1	1	1
	SWITCH-PRESS	100216-01	"IN 55+5PSIG,OUT 25+5PSIG"	1	1	1	1	1	1
ST KIT	START KIT	LB-31200BAR	INC NEXT 2 PARTS	1	1	1	1	1	1
	CAPACITOR-START	63A0601	"176-216 MFD, 320 VAC"	1	1	1	1	1	1
	RELAY-POTENTIAL	P-8-3577	SPNC	1	1	1	1	1	1

13ACX-024-230				DASH/Revision # with Qty					
Key	Part Name	Part Number	Description	13	15	17	18	19	20
Category:CABINET PARTS									
1	PANEL-TOP	102076-01	PANEL - TOP 24 X 24						
1	PANEL-TOP	LB-86265G	TOP PANEL (24X24)(QUARTZ GRAY)						
1	PANEL-TOP 24 X 24	102420-01	PANEL-TOP 24 X 24	1	1				
1	PANEL-TOP 24 X 24	102876-01	PANEL-TOP 24 X 24			1	1		
1	PANEL-TOP 24 X 24, Paint QUARTZ GRAY	102420-01P	PANEL-TOP 24 X 24, QUARTZ GRAY					1	1
2	COVER-CONTROL BOX	102073-01	COVER - CONTROL PANEL	1	1	1	1	1	1
2	COVER-CONTROL BOX	LB-86268G	COVER-CONTROL PANEL (QUARTZ GRAY)						
2	COVER-CONTROL BOX	LB-86271G	COVER-CONTROL PANEL (QUARTZ GRAY)						
	PLATE - PATCH	102097-01	PLATE - PATCH			1			
3	ORIFICE	100001-03	"18"****	1	1	1	1	1	1
B1	COVER	69J0301	SOUND-COMPRESSOR (OPTIONAL)	1	1	1	1	1	1
4	GUARD- COIL	100315-02	OUTDOOR COIL						
4	GUARD- COIL	100315-05	OUTDOOR COIL						
4	MESHING-COIL	100231-09	"36" X 90" (CUT OT FIT)"						
4	PANEL - LOUVER (RIGHT)	603153-01	RIGHT	1	1	1	1	1	1
4	PUSH PIN-MESHING	100230-06	PIN-PUSH						
4	PUSH PIN-MESHING	R100230-01	PIN-PUSH						
	COVER	69J0301	SOUND-COMPRESSOR (OPTIONAL)	1	1	1	1	1	1
	LEG	LB-87156A	BASE(SET OF 4)	1	1	1	1	1	1
	MESHING-COIL	100231-09	"36" X 90" (CUT OT FIT)"						
	NUT-CAP	100094-01	TOP PANEL	4	4	4	4	4	4
	NUT-CAP	68J4101	TOP PANEL						
	PUSH PIN-MESHING	100230-06	PIN-PUSH						
	PUSH PIN-MESHING	R100230-01	PIN-PUSH						

13ACX-024-230				DASH/Revision # with Qty					
Key	Part Name	Part Number	Description	13	15	17	18	19	20
5	PANEL - LOUVER (CENTER)	603154-01	CENTER	2	2	2	2	2	2
6	PANEL - LOUVER (LEFT)	603155-01	LEFT	1	1	1	1	1	1
Category:COOLING PARTS									
10	COIL-OUTDOOR	604750-13	W/MANIFOLD	1	1				
10	COIL-OUTDOOR	LB-87170CG	W/MANIFOLD						
10	COIL-OUTDOOR	LB-87170DL	W/MANIFOLD					1	1
10	COIL-OUTDOOR	LB-87170DS	W/MANIFOLD			1	1		
	KIT	100484-08	RFC (.057)	1	1	1	1	1	1
11	VALVE-SERVICE	100432-01	"LIQUID-LINE,3/8""	1	1	1	1	1	1
12	VALVE-SERVICE	100432-02	"SUCTION LINE,3/4""	1	1				
12	VALVE-SERVICE	100432-04	"SUCTION LINE, 5/8"			1	1	1	1
13	FAN	100060-04	"1/2""BORE,18""DIA,3 BLADE"						
13	FAN	100060-07	"1/2""BORE,18""DIA,3 BLADE"	1	1	1	1	1	1
13	FAN	100060-09	"1/2""BORE,18""DIA,4 BLADE"						
B1	COMPRESSOR	100040-02	"1.5 TON,208-230/60/1,COPE (FOOTNOTE 1)				1		1
B1	COMPRESSOR	101995-02	"1.5 TON,208-230/60/1,LII / IN TERLINK(FO	1					
B1	COMPRESSOR APA020K AA	101995-10	COMPRESSOR APA020KAA		1	1		1	
			RELAY-OVERLOAD COMP-INTERNAL				1		1
	HARNESS-COMP	15M3501	MOLDED PLUG				1		1
	HARNESS-COMP (REPAIR)	102111-01	MOLDED PLUG	1	1	1		1	
	MOUNT PKG-COMP	15J1301PR	MOUNT PKG-COMP	1	1	1	1		
	MOUNT PKG-COMP	LB-106528	MOUNT PKG-COMP					1	1
B4	MOTOR-FAN	100483-02	"1/5HP,1075RPM,208-230/60/1 (FOOTNOTE 2						
B4	MOTOR-FAN	100483-04	"1/10HP,1075RPM,208-230/60/1"						
B4	MOTOR-FAN	100483-22	"1/4HP,1080RPM,208-230/60/1"						

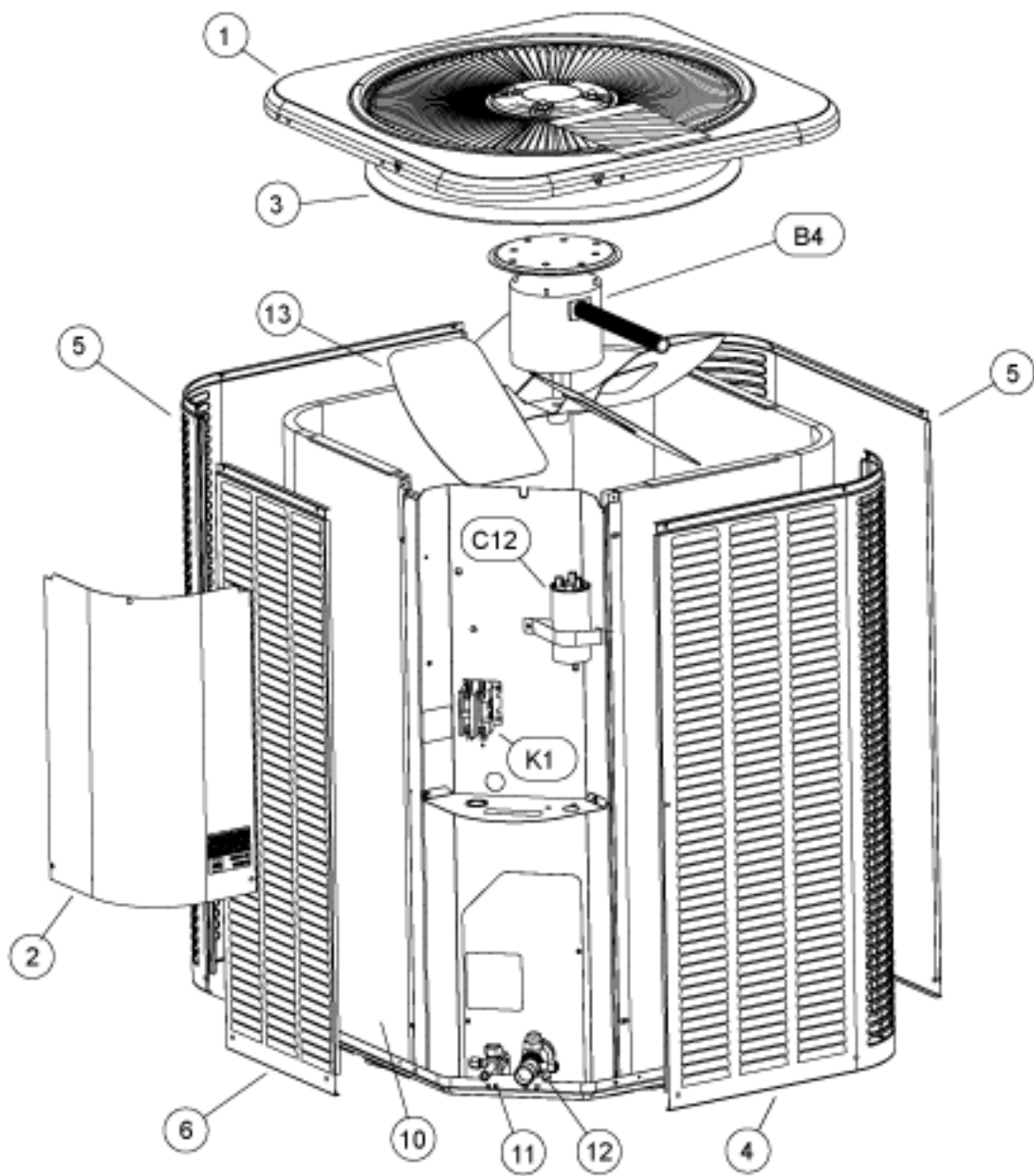
13ACX-024-230				DASH/Revision # with Qty					
Key	Part Name	Part Number	Description	13	15	17	18	19	20
B4	MOTOR-FAN	100483-23	"1/10HP,1075RPM,208-230/60/1"	1	1	1	1		1
B4	MOTOR-FAN 1/10 HP 208/230V 60HZ 1075RPM	100483-35	"1/10HP,1075RPM,208-230/60/1"					1	
	CORE-VALVE	100210-01	CORE - VALVE	1	1	1	1	1	1
	DRIER	100214-03	"LIQUID LINE (FOOTNOTE 1)"	1	1	1	1	1	1
	DRIER	88K4401	SUCTION LINE (OPTIONAL)	1	1	1	1	1	1
	FITTING-PRESS TAP	100520-01	PRESSURE TAP	1	1	1	1	1	1
HR1	HEATER-CRANKCASE	100499-01	"40 WATT, 240 VOLT (OPTIONAL)"	1	1	1	1	1	1
S173	SWITCH-THERMAL	103048-01	THERMAL SWITCH ASSEMBLY (REPAIR)	1	1	1		1	
	COVER-THERMAL SWITCH	103048-02	THERMAL SWITCH COVER ASSEMBLY (REPAIR)	1	1	1		1	
S4	SWITCH-HI PRESS-AUTO	100087-12	CUTOUT 590 PSIG			1	1	1	1
S4	SWITCH-HI PRESS-MANUAL	100103-02	CUTOUT 590 PSIG						
S4	SWITCH-HI PRESS-MANUAL	100103-03	CUTOUT 590 PSIG	1	1				
S49	FREEZSTAT	93G3501	"SPST OPEN 29F, CLOSE 58F"						
Category:INTERLINK ALTERNATE FOR COPELAND COMP.									
	COMPRESSOR	101995-02	COMPRESSOR APA020KAA W/HARNESS				1		1
	COVER-THERMAL SWITCH	103048-02	THERMAL SWITCH COVER ASSEMBLY (REPAIR)				1		1
	HARNESS-COMP (REPAIR)	102111-01	HARNESS -WIRE (REPAIR)				1		1
	SWITCH-THERMAL	103048-01	THERMAL SWITCH ASSEMBLY (REPAIR)				1		1
Category:COPELAND ALTERNATE FOR INTERLINK COMP.									
	COMPRESSOR	100040-02	COMPRESSOR ZP20K5E-PFV L/HARNESS	1	1	1		1	
	HARNESS-COMP	15M3501	15M3501 HARNESS-MOLDED PLUG 1PH	1	1	1		1	
Category:CONTROL PANEL PARTS									
A46	CONTROL-HEAD PRESS	X586701	HO 814-10EH HEAD PRES CONTRL 1 15,208-230						
C1	CAPACITOR-FAN	100463-08	"10MFD, 440VAC"						
C12	CAPACITOR-FAN&RUN	100335-06	"35+5MFD,440VAC"	1	1	1	1	1	1

13ACX-024-230				DASH/Revision # with Qty					
Key	Part Name	Part Number	Description	13	15	17	18	19	20
K1	CONTACTOR	100438-01	"SPST,24V"	1	1	1	1	1	1
Category:*OPTIONAL PARTS-FIELD INSTALLED									
LC KIT	LOSS OF CHARGE KIT	LB-110135A	INC NEXT PART	1	1	1	1	1	1
	SWITCH-PRESS	100216-01	"IN 55+5PSIG,OUT 25+5PSIG"	1	1	1	1	1	1
ST KIT	START KIT	LB-31200BAR	INC NEXT 2 PARTS	1	1	1	1	1	1
	CAPACITOR-START	63A0601	"176-216 MFD, 320 VAC"	1	1	1	1	1	1
	RELAY-POTENTIAL	P-8-3577	SPNC	1	1	1	1	1	1

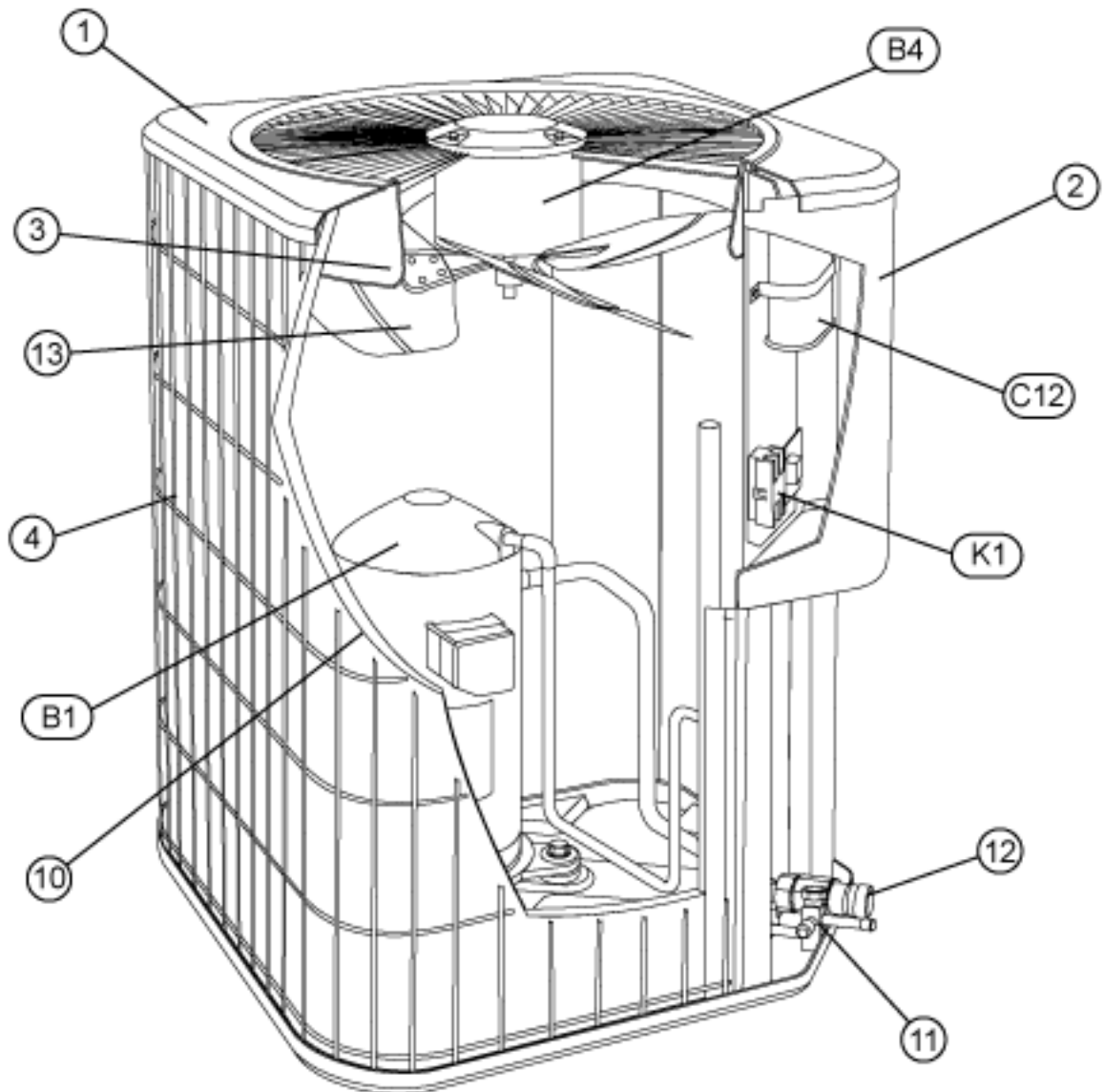
NOTE

NOTE 1: Compressor uses POE oil. The filter drier MUST BE replaced at time of compressor change. Please advise customer of this requirement.

13ACX W/LOUVERED PANELS



13ACX SERIES



13ACX-036-230				DASH/Revision # with Qty					
Key	Part Name	Part Number	Description	1	2	10	11	12	13
Category:CABINET PARTS									
1	PANEL-TOP	102076-01	PANEL - TOP 24 X 24			1	1		
1	PANEL-TOP	LB-86265G	TOP PANEL (24X24)(QUARTZ GRAY)	1	1				
1	PANEL-TOP 24 X 24	102420-01	PANEL-TOP 24 X 24					1	1
2	COVER-CONTROL BOX	102073-01	COVER - CONTROL PANEL			1	1	1	1
2	COVER-CONTROL BOX	LB-86271G	COVER-CONTROL PANEL (QUARTZ GRAY)	1	1				
	PLATE-PATCH	103256-01	PLATE-PATCH						
3	ORIFICE	100001-03	"18"****	1	1	1	1	1	1
4	GUARD- COIL	100315-02	OUTDOOR COIL	1	1	1	1		
4	PANEL - LOUVER (RIGHT)	603153-02	RIGHT					1	1
	COVER	69J0301	SOUND-COMPRESSOR (OPTIONAL)	1	1	1	1	1	1
	LEG	LB-87156A	BASE(SET OF 4)	1	1	1	1	1	1
	MESHING-COIL	100231-09	"36" X 90" (CUT OT FIT)"	1	1	1	1		
	NUT-CAP	100094-01	TOP PANEL			4	4	4	4
	NUT-CAP	68J4101	TOP PANEL	4	4				
	PUSH PIN-MESHING	100230-06	PIN-PUSH			6	6		
	PUSH PIN-MESHING	R100230-01	PIN-PUSH	6	6				
5	PANEL - LOUVER (CENTER)	603154-02	CENTER					2	2
6	PANEL - LOUVER (LEFT)	603155-02	LEFT					1	1
Category:COOLING PARTS									
10	COIL-OUTDOOR	604750-14	W/MANIFOLD					1	1
10	COIL-OUTDOOR	LB-87170CJ	W/MANIFOLD	1					
10	COIL-OUTDOOR	LB-87170DK	W/MANIFOLD		1	1	1		
	KIT	100484-19	RFC KIT ASSY (.070)						1
	KIT	100484-22	RFC (.073)	1	1	1	1	1	

13ACX-036-230				DASH/Revision # with Qty					
Key	Part Name	Part Number	Description	1	2	10	11	12	13
	KIT-PISTON	100484-21	KIT RFC ASSY (.072)						
11	VALVE-SERVICE	100432-01	"LIQUID-LINE,3/8""	1	1	1	1	1	1
12	VALVE-BALL SERVICE 7/8 X 7/8	102831-05	"SUCTION LINE,7/8""						
12	VALVE-SERVICE	100432-02	VALVE SERVICE 3/4"						
12	VALVE-SERVICE	100609-02	"SUCTION LINE,7/8""	1	1	1	1	1	1
13	FAN	100060-08	"1/2""BORE,18""DIA,4 BLADE"	1	1	1	1	1	1
B1	COMPRESSOR	100040-03	"2.5 TON,208-230/60/1,COPE(FOOTNOTE 1)"						
B1	COMPRESSOR	100040-06	"2.5 TON,208-230/60/1,COPE (FOOTNOTE 1)"	1	1	1		1	
B1	COMPRESSOR	101995-04	"2.5 TON,208-230/60/1,LII / IN TERLINK(FO				1		1
B1	COMPRESSOR APA032KAA	101995-14	COMPRESSOR APA032KAA (FOOTNOTE 1)						
			RELAY-OVERLOAD COMP-INTERNAL	1	1	1	1	1	
	HARNESS-COMP	15M3501	MOLDED PLUG	1	1	1		1	
	HARNESS-COMP (REPAIR)	102111-01	MOLDED PLUG				1		1
	MOUNT PKG-COMP	15J1301PR	MOUNT PKG-COMP	1	1	1	1	1	1
B4	MOTOR-FAN	100483-02	"1/5HP,1075RPM,208-230/60/1 (FOOTNOTE 2"	1	1				
B4	MOTOR-FAN	100483-21	"1/5HP,1075RPM,208-230/60/1"			1	1	1	1
	CORE-VALVE	100210-01	CORE - VALVE	1	1	1	1	1	1
	DRIER	100214-03	"LIQUID LINE (FOOTNOTE 1)"	1	1	1	1	1	1
	DRIER	88K4501	SUCTION LINE (OPTIONAL)	1	1	1	1	1	1
	FITTING-PRESS TAP	100520-01	PRESSURE TAP	1	1	1	1	1	1
HR1	HEATER-CRANKCASE	100499-01	"40 WATT, 240 VOLT (OPTIONAL)"	1	1	1	1	1	1
S173	SWITCH-THERMAL	103048-01	THERMAL SWITCH ASSEMBLY (REPAIR)				1		1
	COVER-THERMAL SWITCH	103048-02	THERMAL SWITCH COVER ASSEMBLY (REPAIR)				1		1
S4	SWITCH-HI PRESS-AUTO	100087-12	CUTOUT 590 PSIG						
S4	SWITCH-HI PRESS-MANUAL	100103-02	CUTOUT 590 PSIG	1	1				

13ACX-036-230				DASH/Revision # with Qty					
Key	Part Name	Part Number	Description	1	2	10	11	12	13
S4	SWITCH-HI PRESS-MANUAL	100103-03	CUTOUT 590 PSIG			1	1	1	1
Category:INTERLINK ALTERNATE FOR COPELAND COMP.									
	COMPRESSOR	101995-04	COMPRESSOR APA032KAA W/HARNESS	1	1	1		1	
	COVER-THERMAL SWITCH	103048-02	THERMAL SWITCH COVER ASSEMBLY (REPAIR)	1	1	1		1	
	HARNESS-COMP (REPAIR)	102111-01	HARNESS -WIRE (REPAIR)	1	1	1		1	
	SWITCH-THERMAL	103048-01	THERMAL SWITCH ASSEMBLY (REPAIR)	1	1	1		1	
Category:COPELAND ALTERNATE FOR INTERLINK COMP.									
	COMPRESSOR	100040-06	COMPRESSOR ZP31K5E-PFV L/HARNESS				1		1
	HARNESS-COMP	15M3501	15M3501 HARNESS-MOLDED PLUG 1PH				1		1
Category:CONTROL PANEL PARTS									
C12	CAPACITOR-FAN&RUN	100335-12	"45+5MFD,440VAC"	1	1	1	1	1	1
K1	CONTACTOR	100438-01	"SPST,24V"						
Category:*OPTIONAL PARTS-FIELD INSTALLED									
LC KIT	LOSS OF CHARGE KIT	LB-110135A	INC NEXT PART	1	1	1	1	1	1
	SWITCH-PRESS	100216-01	"IN 55+5PSIG,OUT 25+5PSIG"	1	1	1	1	1	1
ST KIT	START KIT	LB-31200BAR	INC NEXT 2 PARTS	1	1	1	1	1	1
	CAPACITOR-START	63A0601	"176-216 MFD, 320 VAC"	1	1	1	1	1	1
	RELAY-POTENTIAL	P-8-3577	SPNC	1	1	1	1	1	1

13ACX-036-230				DASH/Revision # with Qty			
Key	Part Name	Part Number	Description	14	15	17	18
Category:CABINET PARTS							
1	PANEL-TOP	102076-01	PANEL - TOP 24 X 24				
1	PANEL-TOP	LB-86265G	TOP PANEL (24X24)(QUARTZ GRAY)				
1	PANEL-TOP 24 X 24	102420-01	PANEL-TOP 24 X 24	1	1	1	1
2	COVER-CONTROL BOX	102073-01	COVER - CONTROL PANEL	1	1	1	1
2	COVER-CONTROL BOX	LB-86271G	COVER-CONTROL PANEL (QUARTZ GRAY)				
	PLATE-PATCH	103256-01	PLATE-PATCH			1	
3	ORIFICE	100001-03	"18"****	1	1	1	1
4	GUARD- COIL	100315-02	OUTDOOR COIL				
4	PANEL - LOUVER (RIGHT)	603153-02	RIGHT	1	1	1	1
	COVER	69J0301	SOUND-COMPRESSOR (OPTIONAL)	1	1	1	1
	LEG	LB-87156A	BASE(SET OF 4)	1	1	1	1
	MESHING-COIL	100231-09	"36" X 90" (CUT OT FIT)"				
	NUT-CAP	100094-01	TOP PANEL	4	4	4	4
	NUT-CAP	68J4101	TOP PANEL				
	PUSH PIN-MESHING	100230-06	PIN-PUSH				
	PUSH PIN-MESHING	R100230-01	PIN-PUSH				
5	PANEL - LOUVER (CENTER)	603154-02	CENTER	2	2	2	2
6	PANEL - LOUVER (LEFT)	603155-02	LEFT	1	1	1	1
Category:COOLING PARTS							
10	COIL-OUTDOOR	604750-14	W/MANIFOLD	1	1		
10	COIL-OUTDOOR	LB-87170CJ	W/MANIFOLD				
10	COIL-OUTDOOR	LB-87170DK	W/MANIFOLD			1	1
	KIT	100484-19	RFC KIT ASSY (.070)	1	1		
	KIT	100484-22	RFC (.073)				

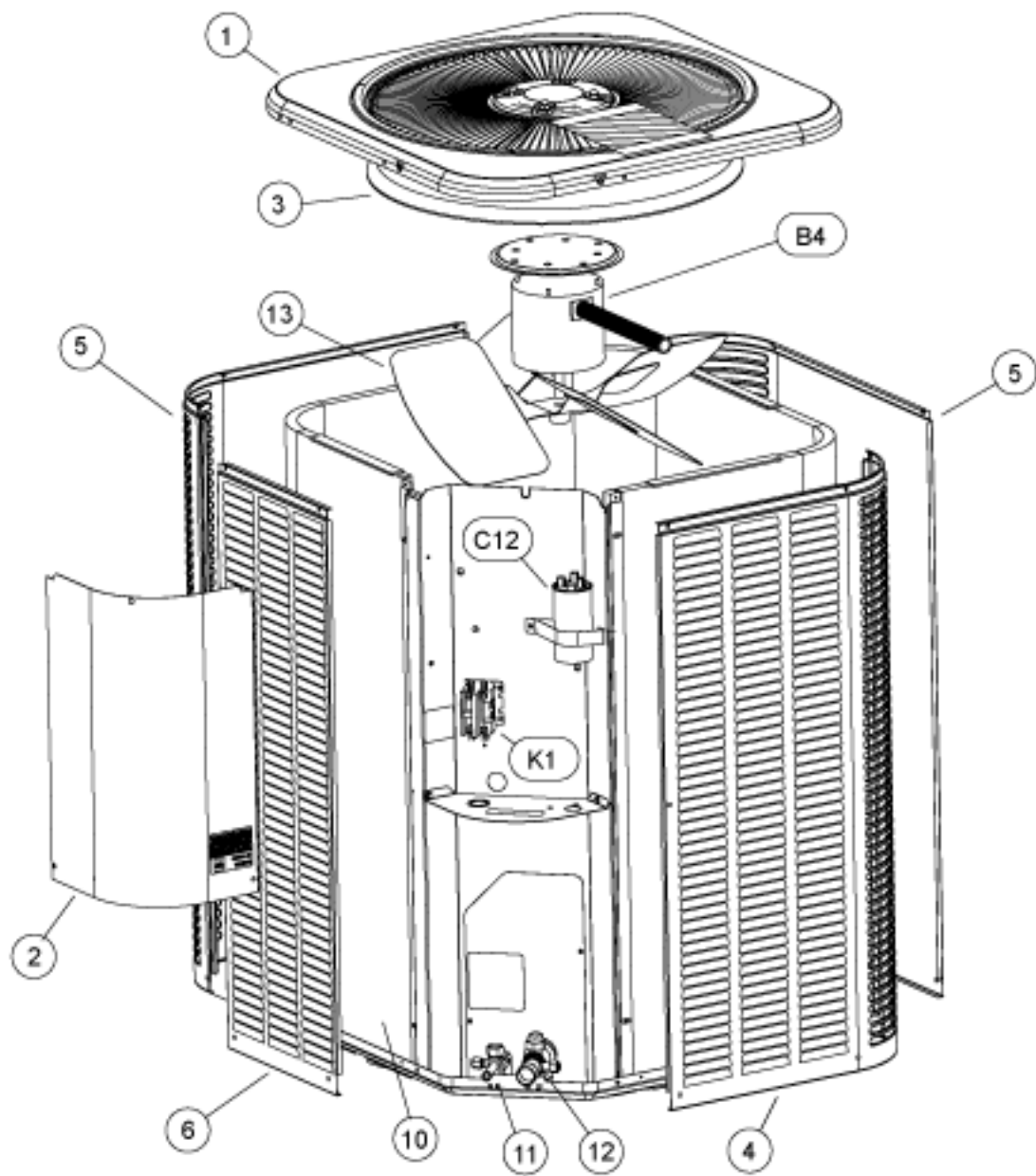
13ACX-036-230				DASH/Revision # with Qty			
Key	Part Name	Part Number	Description	14	15	17	18
	KIT-PISTON	100484-21	KIT RFC ASSY (.072)			1	1
11	VALVE-SERVICE	100432-01	"LIQUID-LINE,3/8""	1	1	1	1
12	VALVE-BALL SERVICE 7/8 X 7/8	102831-05	"SUCTION LINE,7/8""	1	1		
12	VALVE-SERVICE	100432-02	VALVE SERVICE 3/4"			1	1
12	VALVE-SERVICE	100609-02	"SUCTION LINE,7/8""				
13	FAN	100060-08	"1/2""BORE,18""DIA,4 BLADE"	1	1	1	1
B1	COMPRESSOR	100040-03	"2.5 TON,208-230/60/1,COPE(FOOTNOTE 1)"				1
B1	COMPRESSOR	100040-06	"2.5 TON,208-230/60/1,COPE (FOOTNOTE 1)"				
B1	COMPRESSOR	101995-04	"2.5 TON,208-230/60/1,LII / IN TERLINK(FO	1			
B1	COMPRESSOR APA032KAA	101995-14	COMPRESSOR APA032KAA (FOOTNOTE 1)		1	1	
			RELAY-OVERLOAD COMP-INTERNAL				1
	HARNESS-COMP	15M3501	MOLDED PLUG				1
	HARNESS-COMP (REPAIR)	102111-01	MOLDED PLUG	1	1	1	
	MOUNT PKG-COMP	15J1301PR	MOUNT PKG-COMP	1	1	1	1
B4	MOTOR-FAN	100483-02	"1/5HP,1075RPM,208-230/60/1 (FOOTNOTE 2"				
B4	MOTOR-FAN	100483-21	"1/5HP,1075RPM,208-230/60/1"	1	1	1	1
	CORE-VALVE	100210-01	CORE - VALVE	1	1	1	1
	DRIER	100214-03	"LIQUID LINE (FOOTNOTE 1)"	1	1	1	1
	DRIER	88K4501	SUCTION LINE (OPTIONAL)	1	1	1	1
	FITTING-PRESS TAP	100520-01	PRESSURE TAP	1	1	1	1
HR1	HEATER-CRANKCASE	100499-01	"40 WATT, 240 VOLT (OPTIONAL)"	1	1	1	1
S173	SWITCH-THERMAL	103048-01	THERMAL SWITCH ASSEMBLY (REPAIR)	1	1	1	
	COVER-THERMAL SWITCH	103048-02	THERMAL SWITCH COVER ASSEMBLY (REPAIR)	1	1	1	
S4	SWITCH-HI PRESS-AUTO	100087-12	CUTOUT 590 PSIG			1	1
S4	SWITCH-HI PRESS-MANUAL	100103-02	CUTOUT 590 PSIG				

13ACX-036-230				DASH/Revision # with Qty			
Key	Part Name	Part Number	Description	14	15	17	18
S4	SWITCH-HI PRESS-MANUAL	100103-03	CUTOUT 590 PSIG	1	1		
Category:INTERLINK ALTERNATE FOR COPELAND COMP.							
	COMPRESSOR	101995-04	COMPRESSOR APA032KAA W/HARNESS				1
	COVER-THERMAL SWITCH	103048-02	THERMAL SWITCH COVER ASSEMBLY (REPAIR)				1
	HARNESS-COMP (REPAIR)	102111-01	HARNESS -WIRE (REPAIR)				1
	SWITCH-THERMAL	103048-01	THERMAL SWITCH ASSEMBLY (REPAIR)				1
Category:COPELAND ALTERNATE FOR INTERLINK COMP.							
	COMPRESSOR	100040-06	COMPRESSOR ZP31K5E-PFV L/HARNESS	1	1	1	
	HARNESS-COMP	15M3501	15M3501 HARNESS-MOLDED PLUG 1PH	1	1	1	
Category:CONTROL PANEL PARTS							
C12	CAPACITOR-FAN&RUN	100335-12	"45+5MFD,440VAC"	1	1	1	1
K1	CONTACTOR	100438-01	"SPST,24V"	1	1	1	
Category:*OPTIONAL PARTS-FIELD INSTALLED							
LC KIT	LOSS OF CHARGE KIT	LB-110135A	INC NEXT PART	1	1	1	1
	SWITCH-PRESS	100216-01	"IN 55+5PSIG,OUT 25+5PSIG"	1	1	1	1
ST KIT	START KIT	LB-31200BAR	INC NEXT 2 PARTS	1	1	1	1
	CAPACITOR-START	63A0601	"176-216 MFD, 320 VAC"	1	1	1	1
	RELAY-POTENTIAL	P-8-3577	SPNC	1	1	1	1

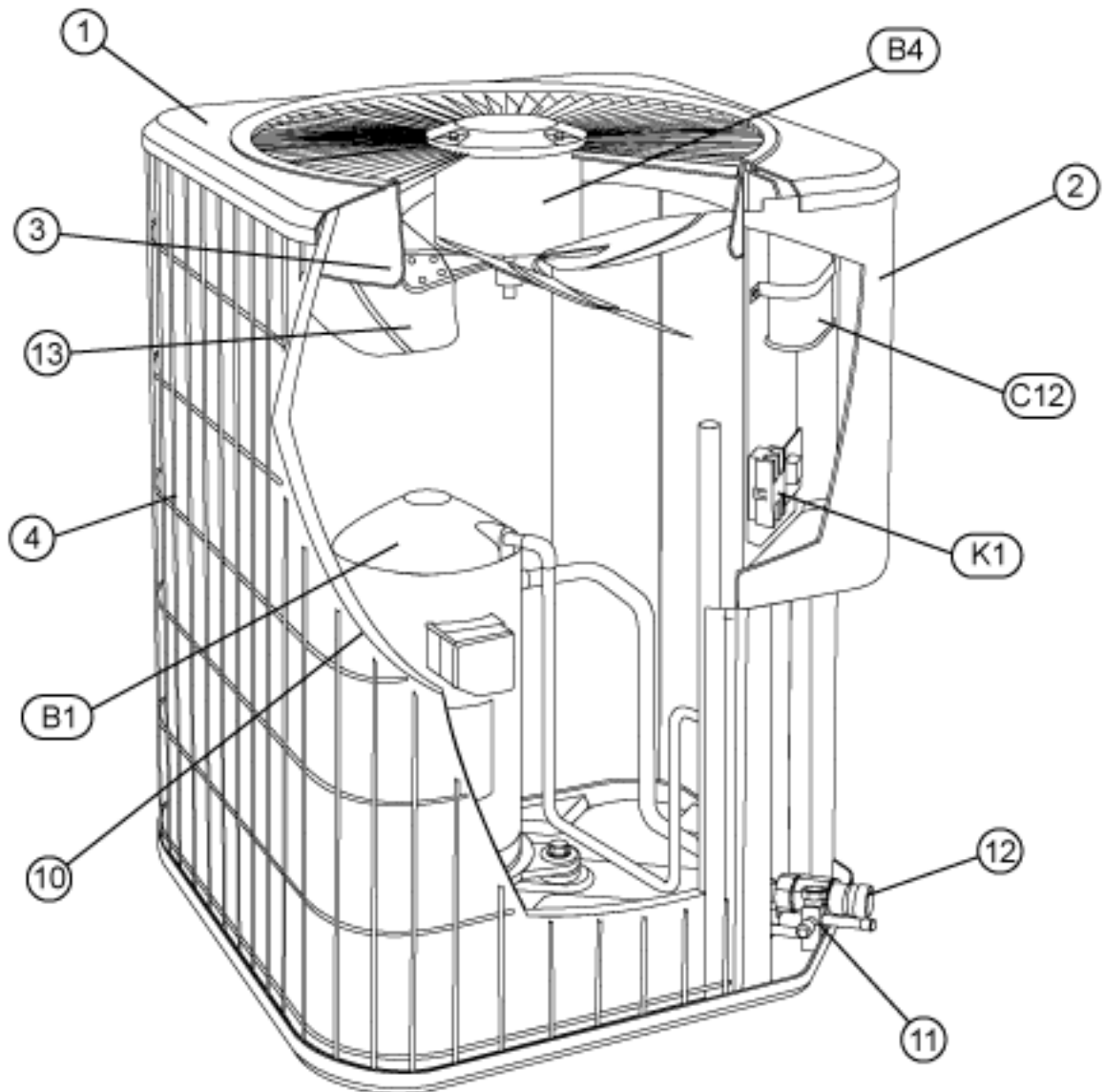
NOTE

NOTE 1: Compressor uses POE oil. The filter drier MUST BE replaced at time of compressor change. Please advise customer of this requirement.

13ACX W/LOUVERED PANELS



13ACX SERIES



13ACX-048-230				DASH/Revision # with Qty					
Key	Part Name	Part Number	Description	1	2	10	11	12	13
Category:CABINET PARTS									
1	PANEL-TOP	102075-01	TOP - PANEL 28 X 28			1	1		
1	PANEL-TOP	LB-86264G	TOP PANEL 28X28 (QUARTZ GRAY)	1	1				
1	PANEL-TOP 28 X 28	102419-01	PANEL-TOP 28 X 28					1	1
1	PANEL-TOP 28 X 28	102875-01	PANEL-TOP 28 X 28						
1	PANEL-TOP 28 X 28, Paint QUARTZ GRAY	102419-01P	PANEL-TOP 28 X 28, QUARTZ GRAY						
2	COVER-CONTROL BOX	102072-01	COVER - CONTROL PANEL			1	1	1	1
2	COVER-CONTROL BOX	LB-86268G	COVER-CONTROL PANEL (QUARTZ GRAY)		1				
2	COVER-CONTROL BOX	LB-86271G	COVER-CONTROL PANEL (QUARTZ GRAY)	1					
	PLATE-PATCH	103256-01	PLATE-PATCH						
3	ORIFICE	100001-01	"22"****	1	1	1	1	1	1
4	GUARD	100315-06	OUTDOOR COIL		1	1	1		
4	GUARD	100315-10	OUTDOOR COIL	1					
4	PANEL - LOUVER (RIGHT)	603156-03	RIGHT						
4	PANEL - LOUVER (RIGHT)	603156-04	RIGHT					1	1
	COVER	69J0301	SOUND-COMPRESSOR (OPTIONAL)	1	1	1	1	1	1
	LEG	LB-87156A	BASE(SET OF 4)	1	1	1	1	1	1
	MESHING-COIL	100231-42	"39" X 109" (CUT TO FIT)"	1	1	1	1		
	NUT-CAP	100094-01	TOP PANEL	4	4	4	4	4	4
	PUSH PIN-MESHING	100230-05	PIN: PUSH	6	6				
	PUSH PIN-MESHING	100230-06	PIN-PUSH			6	6		
5	PANEL - LOUVER (CENTER)	603157-03	CENTER						
5	PANEL - LOUVER (CENTER)	603157-04	CENTER					2	2
6	PANEL - LOUVER (LEFT)	603158-03	LEFT						
6	PANEL - LOUVER (LEFT)	603158-04	LEFT					1	1

13ACX-048-230				DASH/Revision # with Qty					
Key	Part Name	Part Number	Description	1	2	10	11	12	13
Category:COOLING PARTS									
10	COIL-OUTDOOR	604750-16	W/MANIFOLD					1	1
10	COIL-OUTDOOR	LB-87170CX	W/MANIFOLD	1					
10	COIL-OUTDOOR	LB-87170DP	W/MANIFOLD		1	1	1		
10	LB-87170EF COIL AS SY	79E01	LB-87170EF COIL ASSY						
	KIT-PISTON	100484-30	RFC (.082)	1	1	1	1	1	1
11	VALVE SERVICE 3/8	103881-01	"LIQUID-LINE,3/8""						
11	VALVE-SERVICE	100432-01	"LIQUID-LINE,3/8""	1	1	1	1	1	1
12	VALVE SERVICE 7/8	103881-03	"SUCTION LINE,7/8""						
12	VALVE-BALL SERVICE 7/8 X 7/8	102831-05	"SUCTION LINE,7/8""						
12	VALVE-SERVICE	100432-03	"SUCTION LINE,7/8""						
12	VALVE-SERVICE	100609-02	"SUCTION LINE,7/8""	1	1	1	1	1	1
13	FAN	100060-21	"1/2""BORE,22""DIA,4 BLADE"	1	1	1	1	1	1
B1	COMPRESSOR	100040-10	"3.5 TON,208-230/60/1,COPE (FOOTNOTE 1)	1	1	1		1	
B1	COMPRESSOR	101995-06	"3.5 TON,208-230/60/1,LII / IN TERLINK(FO				1		1
B1	COMPRESSOR ABA042K AA	101995-18	COMPRESSOR ABA042KAA (FOOTNOTE 1)						
B1	COMPRESSOR AQA042K AA	101995-23	AQA042KAA W/HARNESS (FOOTNOTE 1)						
			RELAY-OVERLOAD COMP-INTERNAL	1	1	1	1	1	
	HARNESS-COMP	15M3501	MOLDED PLUG	1	1	1		1	
	HARNESS-COMP (REPA IR)	102111-01	MOLDED PLUG				1		1
	MOUNT PKG-COMP	15J1301PR	MOUNT PKG-COMP	1	1	1	1	1	1
	MOUNT PKG-COMP	LB-106528	MOUNT PKG-COMP						
B4	MOTOR-FAN	100483-05	"1/4HP,825RPM,208-230/60/1"	1	1	1	1		
B4	MOTOR-FAN	100483-24	"1/4HP,825RPM,208-230/60/1"					1	1
B4	MOTOR-FAN	100483-34	"1/4HP,825RPM,208-230/60/1"						

13ACX-048-230				DASH/Revision # with Qty					
Key	Part Name	Part Number	Description	1	2	10	11	12	13
	CORE-VALVE	100210-01	CORE - VALVE	1	1	1	1	1	1
	DRIER	100214-03	"LIQUID LINE (FOOTNOTE 1)"	1	1	1	1	1	1
	DRIER	88K4501	SUCTION LINE (OPTIONAL)	1	1	1	1	1	1
	FITTING-PRESS TAP	100520-01	PRESSURE TAP	1	1	1	1	1	1
HR1	HEATER-CRANKCASE	100499-02	"40 WATT, 240 VOLT (OPTIONAL)"	1	1	1	1	1	1
S173	SWITCH-THERMAL	103048-01	THERMAL SWITCH ASSEMBLY (REPAIR)				1		1
	COVER-THERMAL SWITCH	103048-02	THERMAL SWITCH COVER ASSEMBLY (REPAIR)				1		1
S4	SWITCH-HI PRESS-AUTO	100087-12	CUTOUT 590 PSIG						
S4	SWITCH-HI PRESS-MANUAL	100103-03	CUTOUT 590 PSIG	1	1	1	1	1	1
Category:INTERLINK ALTERNATE FOR COPELAND COMP.									
	COMPRESSOR	101995-06	COMPRESSOR ABA042KAA W/HARNESS	1	1	1		1	
	COVER-THERMAL SWITCH	103048-02	THERMAL SWITCH COVER ASSEMBLY (REPAIR)	1	1	1		1	
	HARNESS-COMP (REPAIR)	102111-01	HARNESS -WIRE (REPAIR)	1	1	1		1	
	SWITCH-THERMAL	103048-01	THERMAL SWITCH ASSEMBLY (REPAIR)	1	1	1		1	
Category:COPELAND ALTERNATE FOR INTERLINK COMP.									
	COMPRESSOR	100040-10	COMPRESSOR ZP42K5E-PFV L/HARNESS				1		1
	HARNESS-COMP	15M3501	15M3501 HARNESS-MOLDED PLUG 1PH				1		1
Category:CONTROL PANEL PARTS									
C12	CAPACITOR-DUAL	100335-22	"70+10MFD,370VAC"	1	1	1		1	1
C12	CAPACITOR-FAN&RUN	100335-39	"70+10MFD,440VAC"				1		
K1	CONTACTOR	100438-02	"SPST,24V"	1	1	1	1	1	1
Category:*OPTIONAL PARTS-FIELD INSTALLED									
LC KIT	LOSS OF CHARGE KIT	LB-110135A	INC NEXT PART	1	1	1	1	1	1
	SWITCH-PRESS	100216-01	"IN 55+5PSIG,OUT 25+5PSIG"	1	1	1	1	1	1
ST KIT	START KIT	LB-31200BAR	INC NEXT 2 PARTS	1	1	1	1	1	1

13ACX-048-230				DASH/Revision # with Qty					
Key	Part Name	Part Number	Description	1	2	10	11	12	13
	CAPACITOR-START	63A0601	"176-216 MFD, 320 VAC"	1	1	1	1	1	1
	RELAY-POTENTIAL	P-8-3577	SPNC	1	1	1	1	1	1

13ACX-048-230				DASH/Revision # with Qty					
Key	Part Name	Part Number	Description	14	15	17	18	19	20
Category:CABINET PARTS									
1	PANEL-TOP	102075-01	TOP - PANEL 28 X 28						
1	PANEL-TOP	LB-86264G	TOP PANEL 28X28 (QUARTZ GRAY)						
1	PANEL-TOP 28 X 28	102419-01	PANEL-TOP 28 X 28	1	1			1	
1	PANEL-TOP 28 X 28	102875-01	PANEL-TOP 28 X 28			1	1		
1	PANEL-TOP 28 X 28, Paint QUARTZ GRAY	102419-01P	PANEL-TOP 28 X 28, QUARTZ GRAY						1
2	COVER-CONTROL BOX	102072-01	COVER - CONTROL PANEL	1	1	1	1	1	1
2	COVER-CONTROL BOX	LB-86268G	COVER-CONTROL PANEL (QUARTZ GRAY)						
2	COVER-CONTROL BOX	LB-86271G	COVER-CONTROL PANEL (QUARTZ GRAY)						
	PLATE-PATCH	103256-01	PLATE-PATCH			1		1	
3	ORIFICE	100001-01	"22"****	1	1	1	1	1	1
4	GUARD	100315-06	OUTDOOR COIL						
4	GUARD	100315-10	OUTDOOR COIL						
4	PANEL - LOUVER (RIGHT)	603156-03	RIGHT			1	1	1	1
4	PANEL - LOUVER (RIGHT)	603156-04	RIGHT	1	1				
	COVER	69J0301	SOUND-COMPRESSOR (OPTIONAL)	1	1	1	1	1	1
	LEG	LB-87156A	BASE(SET OF 4)	1	1	1	1	1	1
	MESHING-COIL	100231-42	"39" X 109" (CUT TO FIT)"						
	NUT-CAP	100094-01	TOP PANEL	4	4	4	4	4	4
	PUSH PIN-MESHING	100230-05	PIN: PUSH						
	PUSH PIN-MESHING	100230-06	PIN-PUSH						
5	PANEL - LOUVER (CENTER)	603157-03	CENTER			2	2	2	2
5	PANEL - LOUVER (CENTER)	603157-04	CENTER	2	2				
6	PANEL - LOUVER (LEFT)	603158-03	LEFT			1	1	1	1
6	PANEL - LOUVER (LEFT)	603158-04	LEFT	1	1				

13ACX-048-230				DASH/Revision # with Qty					
Key	Part Name	Part Number	Description	14	15	17	18	19	20
Category:COOLING PARTS									
10	COIL-OUTDOOR	604750-16	W/MANIFOLD	1	1				
10	COIL-OUTDOOR	LB-87170CX	W/MANIFOLD						
10	COIL-OUTDOOR	LB-87170DP	W/MANIFOLD			1	1		
10	LB-87170EF COIL AS SY	79E01	LB-87170EF COIL ASSY					1	1
	KIT-PISTON	100484-30	RFC (.082)	1	1	1	1	1	1
11	VALVE SERVICE 3/8	103881-01	"LIQUID-LINE,3/8""						
11	VALVE-SERVICE	100432-01	"LIQUID-LINE,3/8""	1	1	1	1	1	1
12	VALVE SERVICE 7/8	103881-03	"SUCTION LINE,7/8""						
12	VALVE-BALL SERVICE 7/8 X 7/8	102831-05	"SUCTION LINE,7/8""	1	1				
12	VALVE-SERVICE	100432-03	"SUCTION LINE,7/8""			1	1	1	1
12	VALVE-SERVICE	100609-02	"SUCTION LINE,7/8""						
13	FAN	100060-21	"1/2""BORE,22""DIA,4 BLADE"	1	1	1	1	1	1
B1	COMPRESSOR	100040-10	"3.5 TON,208-230/60/1,COPE (FOOTNOTE 1)				1		1
B1	COMPRESSOR	101995-06	"3.5 TON,208-230/60/1,LII / IN TERLINK(FO	1					
B1	COMPRESSOR ABA042K AA	101995-18	COMPRESSOR ABA042KAA (FOOTNOTE 1)		1	1		1	
B1	COMPRESSOR AQA042K AA	101995-23	AQA042KAA W/HARNESS (FOOTNOTE 1)						
			RELAY-OVERLOAD COMP-INTERNAL				1		1
	HARNESS-COMP	15M3501	MOLDED PLUG				1		1
	HARNESS-COMP (REPA IR)	102111-01	MOLDED PLUG	1	1	1		1	
	MOUNT PKG-COMP	15J1301PR	MOUNT PKG-COMP	1	1	1	1		
	MOUNT PKG-COMP	LB-106528	MOUNT PKG-COMP					1	1
B4	MOTOR-FAN	100483-05	"1/4HP,825RPM,208-230/60/1"						
B4	MOTOR-FAN	100483-24	"1/4HP,825RPM,208-230/60/1"	1	1	1			
B4	MOTOR-FAN	100483-34	"1/4HP,825RPM,208-230/60/1"				1	1	1

13ACX-048-230				DASH/Revision # with Qty					
Key	Part Name	Part Number	Description	14	15	17	18	19	20
	CORE-VALVE	100210-01	CORE - VALVE	1	1	1	1	1	1
	DRIER	100214-03	"LIQUID LINE (FOOTNOTE 1)"	1	1	1	1	1	1
	DRIER	88K4501	SUCTION LINE (OPTIONAL)	1	1	1	1	1	1
	FITTING-PRESS TAP	100520-01	PRESSURE TAP	1	1	1	1	1	1
HR1	HEATER-CRANKCASE	100499-02	"40 WATT, 240 VOLT (OPTIONAL)"	1	1	1	1	1	1
S173	SWITCH-THERMAL	103048-01	THERMAL SWITCH ASSEMBLY (REPAIR)	1	1	1		1	
	COVER-THERMAL SWITCH	103048-02	THERMAL SWITCH COVER ASSEMBLY (REPAIR)	1	1	1		1	
S4	SWITCH-HI PRESS-AUTOMATIC	100087-12	CUTOUT 590 PSIG			1	1	1	1
S4	SWITCH-HI PRESS-MANUAL	100103-03	CUTOUT 590 PSIG	1	1				
Category:INTERLINK ALTERNATE FOR COPELAND COMP.									
	COMPRESSOR	101995-06	COMPRESSOR ABA042KAA W/HARNESS				1		1
	COVER-THERMAL SWITCH	103048-02	THERMAL SWITCH COVER ASSEMBLY (REPAIR)				1		1
	HARNESS-COMP (REPAIR)	102111-01	HARNESS -WIRE (REPAIR)				1		1
	SWITCH-THERMAL	103048-01	THERMAL SWITCH ASSEMBLY (REPAIR)				1		1
Category:COPELAND ALTERNATE FOR INTERLINK COMP.									
	COMPRESSOR	100040-10	COMPRESSOR ZP42K5E-PFV L/HARNESS	1	1	1		1	
	HARNESS-COMP	15M3501	15M3501 HARNESS-MOLDED PLUG 1PH	1	1	1		1	
Category:CONTROL PANEL PARTS									
C12	CAPACITOR-DUAL	100335-22	"70+10MFD,370VAC"	1	1	1	1	1	1
C12	CAPACITOR-FAN&RUN	100335-39	"70+10MFD,440VAC"						
K1	CONTACTOR	100438-02	"SPST,24V"	1	1	1	1	1	1
Category:*OPTIONAL PARTS-FIELD INSTALLED									
LC KIT	LOSS OF CHARGE KIT	LB-110135A	INC NEXT PART	1	1	1	1	1	1
	SWITCH-PRESS	100216-01	"IN 55+5PSIG,OUT 25+5PSIG"	1	1	1	1	1	1
ST KIT	START KIT	LB-31200BAR	INC NEXT 2 PARTS	1	1	1	1	1	1

13ACX-048-230				DASH/Revision # with Qty					
Key	Part Name	Part Number	Description	14	15	17	18	19	20
	CAPACITOR-START	63A0601	"176-216 MFD, 320 VAC"	1	1	1	1	1	1
	RELAY-POTENTIAL	P-8-3577	SPNC	1	1	1	1	1	1

13ACX-048-230				DASH/Revision # with Qty
Key	Part Name	Part Number	Description	21
Category:CABINET PARTS				
1	PANEL-TOP	102075-01	TOP - PANEL 28 X 28	
1	PANEL-TOP	LB-86264G	TOP PANEL 28X28 (QUARTZ GRAY)	
1	PANEL-TOP 28 X 28	102419-01	PANEL-TOP 28 X 28	1
1	PANEL-TOP 28 X 28	102875-01	PANEL-TOP 28 X 28	
1	PANEL-TOP 28 X 28, Paint QUARTZ GRAY	102419-01P	PANEL-TOP 28 X 28, QUARTZ GRAY	
2	COVER-CONTROL BOX	102072-01	COVER - CONTROL PANEL	1
2	COVER-CONTROL BOX	LB-86268G	COVER-CONTROL PANEL (QUARTZ GRAY)	
2	COVER-CONTROL BOX	LB-86271G	COVER-CONTROL PANEL (QUARTZ GRAY)	
	PLATE-PATCH	103256-01	PLATE-PATCH	1
3	ORIFICE	100001-01	"22" ""	1
4	GUARD	100315-06	OUTDOOR COIL	
4	GUARD	100315-10	OUTDOOR COIL	
4	PANEL - LOUVER (RIGHT)	603156-03	RIGHT	1
4	PANEL - LOUVER (RIGHT)	603156-04	RIGHT	
	COVER	69J0301	SOUND-COMPRESSOR (OPTIONAL)	1
	LEG	LB-87156A	BASE(SET OF 4)	1
	MESHING-COIL	100231-42	"39" X 109" (CUT TO FIT)"	
	NUT-CAP	100094-01	TOP PANEL	4
	PUSH PIN-MESHING	100230-05	PIN: PUSH	
	PUSH PIN-MESHING	100230-06	PIN-PUSH	
5	PANEL - LOUVER (CENTER)	603157-03	CENTER	2
5	PANEL - LOUVER (CENTER)	603157-04	CENTER	
6	PANEL - LOUVER (LEFT)	603158-03	LEFT	1
6	PANEL - LOUVER (LEFT)	603158-04	LEFT	

13ACX-048-230				DASH/Revision # with Qty
Key	Part Name	Part Number	Description	21
Category:COOLING PARTS				
10	COIL-OUTDOOR	604750-16	W/MANIFOLD	
10	COIL-OUTDOOR	LB-87170CX	W/MANIFOLD	
10	COIL-OUTDOOR	LB-87170DP	W/MANIFOLD	1
10	LB-87170EF COIL AS SY	79E01	LB-87170EF COIL ASSY	
	KIT-PISTON	100484-30	RFC (.082)	1
11	VALVE SERVICE 3/8	103881-01	"LIQUID-LINE,3/8""	1
11	VALVE-SERVICE	100432-01	"LIQUID-LINE,3/8""	
12	VALVE SERVICE 7/8	103881-03	"SUCTION LINE,7/8""	1
12	VALVE-BALL SERVICE 7/8 X 7/8	102831-05	"SUCTION LINE,7/8""	
12	VALVE-SERVICE	100432-03	"SUCTION LINE,7/8""	
12	VALVE-SERVICE	100609-02	"SUCTION LINE,7/8""	
13	FAN	100060-21	"1/2""BORE,22""DIA,4 BLADE"	1
B1	COMPRESSOR	100040-10	"3.5 TON,208-230/60/1,COPE (FOOTNOTE 1)	
B1	COMPRESSOR	101995-06	"3.5 TON,208-230/60/1,LII / IN TERLINK(FO	
B1	COMPRESSOR ABA042K AA	101995-18	COMPRESSOR ABA042KAA (FOOTNOTE 1)	
B1	COMPRESSOR AQA042K AA	101995-23	AQA042KAA W/HARNESS (FOOTNOTE 1)	1
			RELAY-OVERLOAD COMP-INTERNAL	
	HARNESS-COMP	15M3501	MOLDED PLUG	
	HARNESS-COMP (REPA IR)	102111-01	MOLDED PLUG	1
	MOUNT PKG-COMP	15J1301PR	MOUNT PKG-COMP	
	MOUNT PKG-COMP	LB-106528	MOUNT PKG-COMP	1
B4	MOTOR-FAN	100483-05	"1/4HP,825RPM,208-230/60/1"	
B4	MOTOR-FAN	100483-24	"1/4HP,825RPM,208-230/60/1"	
B4	MOTOR-FAN	100483-34	"1/4HP,825RPM,208-230/60/1"	1

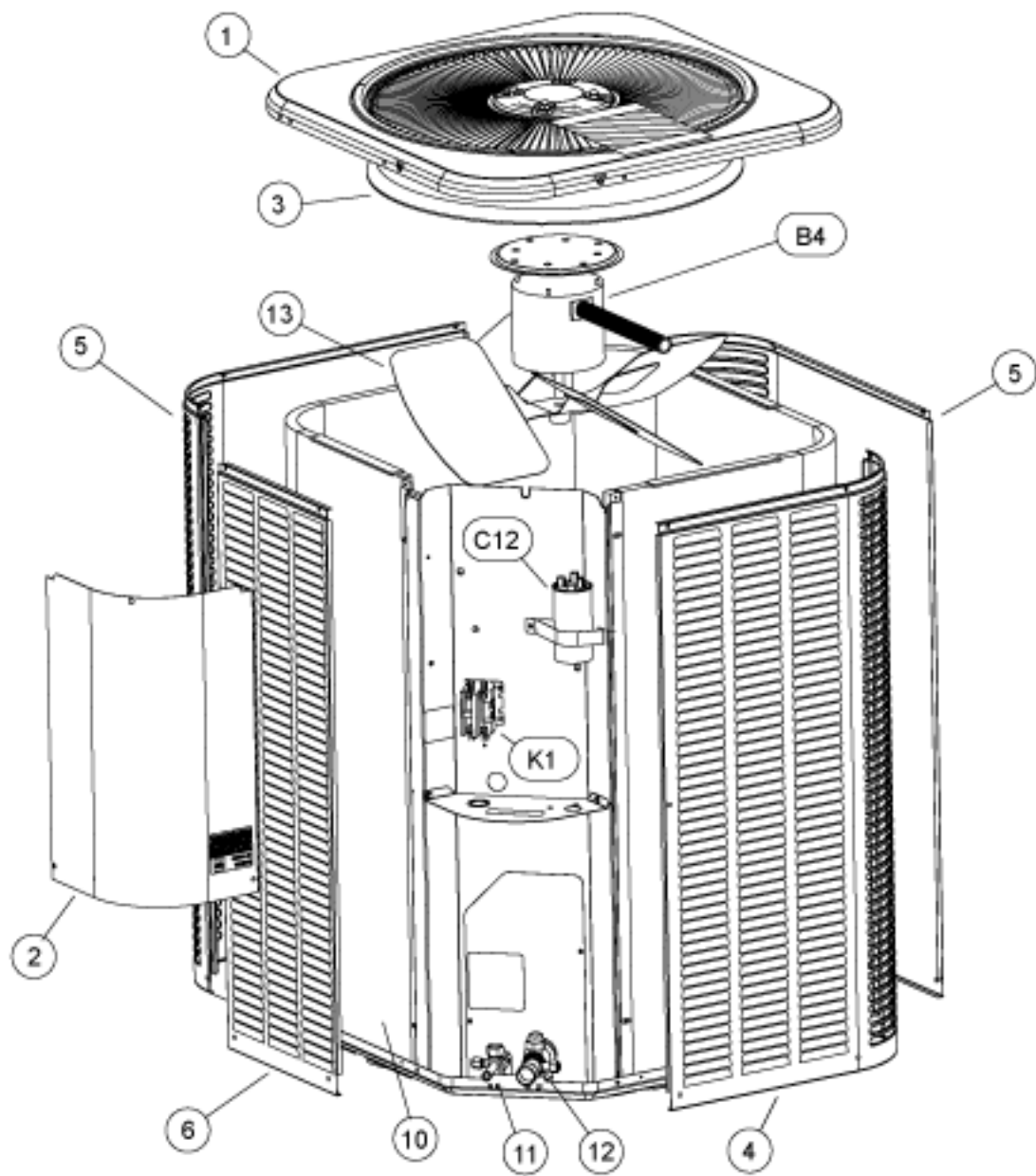
13ACX-048-230				DASH/Revision # with Qty
Key	Part Name	Part Number	Description	21
	CORE-VALVE	100210-01	CORE - VALVE	1
	DRIER	100214-03	"LIQUID LINE (FOOTNOTE 1)"	1
	DRIER	88K4501	SUCTION LINE (OPTIONAL)	1
	FITTING-PRESS TAP	100520-01	PRESSURE TAP	1
HR1	HEATER-CRANKCASE	100499-02	"40 WATT, 240 VOLT (OPTIONAL)"	1
S173	SWITCH-THERMAL	103048-01	THERMAL SWITCH ASSEMBLY (REPAIR)	1
	COVER-THERMAL SWITCH	103048-02	THERMAL SWITCH COVER ASSEMBLY (REPAIR)	1
S4	SWITCH-HI PRESS-AUTO	100087-12	CUTOUT 590 PSIG	1
S4	SWITCH-HI PRESS-MANUAL	100103-03	CUTOUT 590 PSIG	
Category:INTERLINK ALTERNATE FOR COPELAND COMP.				
	COMPRESSOR	101995-06	COMPRESSOR ABA042KAA W/HARNESS	
	COVER-THERMAL SWITCH	103048-02	THERMAL SWITCH COVER ASSEMBLY (REPAIR)	
	HARNESS-COMP (REPAIR)	102111-01	HARNESS -WIRE (REPAIR)	
	SWITCH-THERMAL	103048-01	THERMAL SWITCH ASSEMBLY (REPAIR)	
Category:COPELAND ALTERNATE FOR INTERLINK COMP.				
	COMPRESSOR	100040-10	COMPRESSOR ZP42K5E-PFV L/HARNESS	1
	HARNESS-COMP	15M3501	15M3501 HARNESS-MOLDED PLUG 1PH	1
Category:CONTROL PANEL PARTS				
C12	CAPACITOR-DUAL	100335-22	"70+10MFD,370VAC"	
C12	CAPACITOR-FAN&RUN	100335-39	"70+10MFD,440VAC"	1
K1	CONTACTOR	100438-02	"SPST,24V"	1
Category:*OPTIONAL PARTS-FIELD INSTALLED				
LC KIT	LOSS OF CHARGE KIT	LB-110135A	INC NEXT PART	1
	SWITCH-PRESS	100216-01	"IN 55+5PSIG,OUT 25+5PSIG"	1
ST KIT	START KIT	LB-31200BAR	INC NEXT 2 PARTS	1

13ACX-048-230				DASH/Revision # with Qty
Key	Part Name	Part Number	Description	21
	CAPACITOR-START	63A0601	"176-216 MFD, 320 VAC"	1
	RELAY-POTENTIAL	P-8-3577	SPNC	1

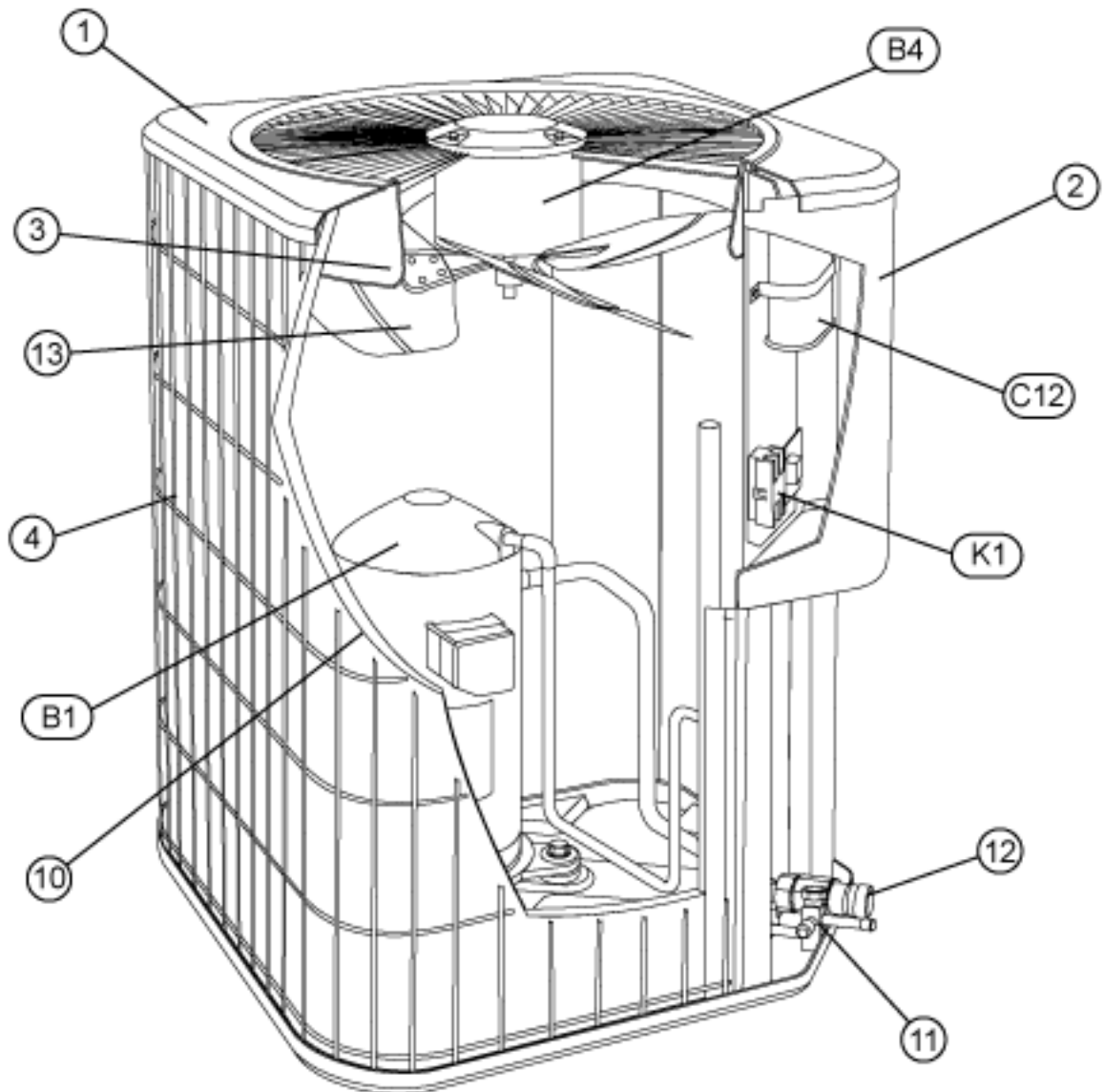
NOTE

Note 1: Compressor uses POE oil. The filter drier MUST BE replaced at time of compressor change. Please advise customer of this requirement.

13ACX W/LOUVERED PANELS



13ACX SERIES



13ACX-060-230				DASH/Revision # with Qty					
Key	Part Name	Part Number	Description	1	2	3	10	11	12
Category:CABINET PARTS									
1	PANEL-TOP	102075-01	TOP - PANEL 28 X 28				1	1	
1	PANEL-TOP	LB-86264G	TOP PANEL 28X28 (QUARTZ GRAY)	1	1	1			
1	PANEL-TOP 28 X 28	102419-01	PANEL-TOP 28 X 28						1
1	PANEL-TOP 28 X 28	102875-01	PANEL-TOP 28 X 28						
2	COVER-CONTROL BOX	102072-01	COVER - CONTROL PANEL				1	1	1
2	COVER-CONTROL BOX	102073-01	COVER - CONTROL PANEL						
2	COVER-CONTROL BOX	LB-86268G	COVER-CONTROL PANEL (QUARTZ GRAY)	1	1	1			
	PLATE-PATCH	103256-01	PLATE-PATCH						
3	ORIFICE	100001-01	"22"****	1	1	1	1	1	1
4	GUARD	100315-01	OUTDOOR COIL	1					
4	GUARD	100315-06	OUTDOOR COIL		1				
4	GUARD	100315-09	OUTDOOR COIL			1	1	1	
4	PANEL - LOUVER (RIGHT)	603156-02	RIGHT						
4	PANEL - LOUVER (RIGHT)	603156-03	RIGHT						1
	COVER	69J0301	SOUND-COMPRESSOR (OPTIONAL)	1	1	1	1	1	1
	LEG	LB-87156A	BASE(SET OF 4)	1	1	1	1	1	1
	MESHING-COIL	100231-42	"39" X 109" (CUT TO FIT)"	1	1	1	1	1	
	NUT-CAP	100094-01	TOP PANEL	4	4	4	4	4	4
	PUSH PIN-MESHING	100230-05	PIN: PUSH	6	6	6			
	PUSH PIN-MESHING	100230-06	PIN-PUSH				6	6	
5	PANEL - LOUVER (CENTER)	603157-02	CENTER						
5	PANEL - LOUVER (CENTER)	603157-03	CENTER						2
6	PANEL - LOUVER (LEFT)	603158-02	LEFT						
6	PANEL - LOUVER (LEFT)	603158-03	LEFT						1

13ACX-060-230				DASH/Revision # with Qty					
Key	Part Name	Part Number	Description	1	2	3	10	11	12
Category:COOLING PARTS									
10	COIL-OUTDOOR	604750-17	W/MANIFOLD						1
10	COIL-OUTDOOR	LB-87170CL	W/MANIFOLD	1					
10	COIL-OUTDOOR	LB-87170DC	W/MANIFOLD		1				
10	COIL-OUTDOOR	LB-87170DR	W/MANIFOLD			1	1	1	
	KIT-RFC	100484-40	RFC (.093)	1	1	1	1	1	1
	PISTON KIT	100484-37	KIT RFC ASSY (.090)						
11	VALVE-SERVICE	100432-01	"LIQUID-LINE,3/8""	1	1	1	1	1	1
12	VALVE-BALL SERVICE 1-1/8 X 7/8	102831-06	"SUCTION LINE,7/8"" X 1 1/8""						
12	VALVE-SERVICE	100281-01	"SUCTION LINE,7/8"" X 1 1/8""	1	1				
12	VALVE-SERVICE	100432-03	VALVE SERVICE 7/8						
12	VALVE-SERVICE	100609-03	"SUCTION LINE,7/8"" X 1 1/8""			1	1	1	1
13	FAN	100060-21	"1/2""BORE,22""DIA,4 BLADE"	1	1	1	1	1	1
B1	COMPRESSOR	100040-11	"4.5 TON,208-230/60/1,COPE(FOOTNOTE 1)"						
B1	COMPRESSOR	100040-12	"4.5 TON,208-230/60/1,COPE#(FOOTNOTE 1)"	1	1	1	1		1
B1	COMPRESSOR	101995-07	"4.5 TON,208-230/60/1,LII / INTERLINK(FOOTNOTE 1)"					1	
B1	COMPRESSOR ABA051KAC	101995-21	ABA051KAC W/HARNES (FOOTNOTE 1)						
B1	COMPRESSOR ABA054KAA	101995-20	ABA054KAA W/HARNES (FOOTNOTE 1)						
			RELAY-OVERLOAD COMP-INTERNAL	1	1	1	1	1	1
	HARNES-COMP	15M3501	MOLDED PLUG	1	1	1	1		1
	HARNES-COMP (REPAIR)	102111-01	MOLDED PLUG					1	
	MOUNT PKG-COMP	15J1301PR	MOUNT PKG-COMP	1	1	1	1	1	1
B4	MOTOR-FAN	100483-05	"1/4HP,825RPM,208-230/60/1"	1	1	1	1		
B4	MOTOR-FAN	100483-24	"1/4HP,825RPM,208-230/60/1"					1	1
B4	MOTOR-FAN	100483-34	"1/4HP,825RPM,208-230/60/1"						

13ACX-060-230				DASH/Revision # with Qty					
Key	Part Name	Part Number	Description	1	2	3	10	11	12
	CORE-VALVE	100210-01	CORE - VALVE	1	1	1	1	1	1
	DRIER	100214-03	"LIQUID LINE (FOOTNOTE 1)"	1	1	1	1	1	1
	DRIER	88K4501	SUCTION LINE (OPTIONAL)	1	1	1	1	1	1
	FITTING-PRESS TAP	100520-01	PRESSURE TAP	1	1	1	1	1	1
HR1	HEATER-CRANKCASE	100499-02	"40 WATT, 240 VOLT (OPTIONAL)"	1	1	1	1	1	1
S173	SWITCH-THERMAL	103048-01	THERMAL SWITCH ASSEMBLY (REPAIR)					1	
	COVER-THERMAL SWITCH	103048-02	THERMAL SWITCH COVER ASSEMBLY (REPAIR)					1	
S4	SWITCH-HI PRES	100103-04	CUTOUT 590 PSIG	1	1				
S4	SWITCH-HI PRESS-AUTO	100087-12	CUTOUT 590 PSIG						
S4	SWITCH-HI PRESS-MANUAL	100103-03	CUTOUT 590 PSIG			1	1	1	1
Category:INTERLINK ALTERNATE FOR COPELAND COMP.									
	CAPACITOR-FAN&RUN	101074-02	"80 + 10 MFD @ 440VAC"	1	1	1	1		1
	COMPRESSOR	101995-07	COMPRESSOR ABA054KAA W/HARNESS	1	1	1	1		1
	COVER-THERMAL SWITCH	103048-02	THERMAL SWITCH COVER ASSEMBLY (REPAIR)	1	1	1	1		1
	HARNESS-COMP (REPAIR)	102111-01	HARNESS -WIRE (REPAIR)	1	1	1	1		1
	SWITCH-THERMAL	103048-01	THERMAL SWITCH ASSEMBLY (REPAIR)	1	1	1	1		1
Category:COPELAND ALTERNATE FOR INTERLINK COMP.									
	CAPACITOR-FAN&RUN	101074-02	"80 + 10 MFD @ 440VAC"					1	
	COMPRESSOR	100040-12	COMPRESSOR ZP54K5E-PFV L/HARNESS					1	
	HARNESS-COMP	15M3501	15M3501 HARNESS-MOLDED PLUG 1PH					1	
Category:CONTROL PANEL PARTS									
C12	CAPACITOR-DUAL	100335-22	70 + 10 MFD @ 370V ROUND						
C12	CAPACITOR-FAN&RUN	100335-26	"80+10MFD,370VAC"	1	1	1			1
C12	CAPACITOR-FAN&RUN	101074-02	"80+10MFD,440VAC"				1	1	
C12	CAPACITOR-RUN 75 + 10 MFD @ 440V ROUND	100335-51	75 + 10 MFD @ 440V ROUND						

13ACX-060-230				DASH/Revision # with Qty					
Key	Part Name	Part Number	Description	1	2	3	10	11	12
K1	CONTACTOR	100438-02	"SPST,24V"	1	1	1	1	1	1
Category:*OPTIONAL PARTS-FIELD INSTALLED									
LC KIT	LOSS OF CHARGE KIT	LB-110135A	INC NEXT PART	1	1	1	1	1	1
	SWITCH-PRESS	100216-01	"IN 55+5PSIG,OUT 25+5PSIG"	1	1	1	1	1	1
ST KIT	START KIT	LB-31200BAR	INC NEXT 2 PARTS	1	1	1	1	1	1
	CAPACITOR-START	63A0601	"176-216 MFD, 320 VAC"	1	1	1	1	1	1
	RELAY-POTENTIAL	P-8-3577	SPNC	1	1	1	1	1	1

13ACX-060-230				DASH/Revision # with Qty				
Key	Part Name	Part Number	Description	13	14	15	17	18
Category:CABINET PARTS								
1	PANEL-TOP	102075-01	TOP - PANEL 28 X 28					
1	PANEL-TOP	LB-86264G	TOP PANEL 28X28 (QUARTZ GRAY)					
1	PANEL-TOP 28 X 28	102419-01	PANEL-TOP 28 X 28	1	1	1		
1	PANEL-TOP 28 X 28	102875-01	PANEL-TOP 28 X 28				1	1
2	COVER-CONTROL BOX	102072-01	COVER - CONTROL PANEL	1	1	1		
2	COVER-CONTROL BOX	102073-01	COVER - CONTROL PANEL				1	1
2	COVER-CONTROL BOX	LB-86268G	COVER-CONTROL PANEL (QUARTZ GRAY)					
	PLATE-PATCH	103256-01	PLATE-PATCH				1	
3	ORIFICE	100001-01	"22" ""	1	1	1	1	1
4	GUARD	100315-01	OUTDOOR COIL					
4	GUARD	100315-06	OUTDOOR COIL					
4	GUARD	100315-09	OUTDOOR COIL					
4	PANEL - LOUVER (RIGHT)	603156-02	RIGHT				1	1
4	PANEL - LOUVER (RIGHT)	603156-03	RIGHT	1	1	1		
	COVER	69J0301	SOUND-COMPRESSOR (OPTIONAL)	1	1	1	1	1
	LEG	LB-87156A	BASE(SET OF 4)	1	1	1	1	1
	MESHING-COIL	100231-42	"39" X 109" (CUT OT FIT)"					
	NUT-CAP	100094-01	TOP PANEL	4	4	4	4	4
	PUSH PIN-MESHING	100230-05	PIN: PUSH					
	PUSH PIN-MESHING	100230-06	PIN-PUSH					
5	PANEL - LOUVER (CENTER)	603157-02	CENTER				2	2
5	PANEL - LOUVER (CENTER)	603157-03	CENTER	2	2	2		
6	PANEL - LOUVER (LEFT)	603158-02	LEFT				1	1
6	PANEL - LOUVER (LEFT)	603158-03	LEFT	1	1	1		

13ACX-060-230				DASH/Revision # with Qty				
Key	Part Name	Part Number	Description	13	14	15	17	18
Category:COOLING PARTS								
10	COIL-OUTDOOR	604750-17	W/MANIFOLD	1	1	1		
10	COIL-OUTDOOR	LB-87170CL	W/MANIFOLD					
10	COIL-OUTDOOR	LB-87170DC	W/MANIFOLD					
10	COIL-OUTDOOR	LB-87170DR	W/MANIFOLD				1	1
	KIT-RFC	100484-40	RFC (.093)					
	PISTON KIT	100484-37	KIT RFC ASSY (.090)	1	1	1	1	1
11	VALVE-SERVICE	100432-01	"LIQUID-LINE,3/8""	1	1	1	1	1
12	VALVE-BALL SERVICE 1-1/8 X 7/8	102831-06	"SUCTION LINE,7/8"" X 1 1/8""		1	1		
12	VALVE-SERVICE	100281-01	"SUCTION LINE,7/8"" X 1 1/8""					
12	VALVE-SERVICE	100432-03	VALVE SERVICE 7/8				1	1
12	VALVE-SERVICE	100609-03	"SUCTION LINE,7/8"" X 1 1/8""	1				
13	FAN	100060-21	"1/2""BORE,22""DIA,4 BLADE"	1	1	1	1	1
B1	COMPRESSOR	100040-11	"4.5 TON,208-230/60/1,COPE(FOOTNOTE 1)"					1
B1	COMPRESSOR	100040-12	"4.5 TON,208-230/60/1,COPE#(FOOTNOTE 1)"					
B1	COMPRESSOR	101995-07	"4.5 TON,208-230/60/1,LII / INTERLINK(FOOTNOTE 1)"	1	1			
B1	COMPRESSOR ABA051KAC	101995-21	ABA051KAC W/HARNESS (FOOTNOTE 1)				1	
B1	COMPRESSOR ABA054KAA	101995-20	ABA054KAA W/HARNESS (FOOTNOTE 1)			1		
			RELAY-OVERLOAD COMP-INTERNAL					1
	HARNESS-COMP	15M3501	MOLDED PLUG					1
	HARNESS-COMP (REPAIR)	102111-01	MOLDED PLUG	1	1	1	1	
	MOUNT PKG-COMP	15J1301PR	MOUNT PKG-COMP	1	1	1	1	1
B4	MOTOR-FAN	100483-05	"1/4HP,825RPM,208-230/60/1"					
B4	MOTOR-FAN	100483-24	"1/4HP,825RPM,208-230/60/1"	1	1	1	1	
B4	MOTOR-FAN	100483-34	"1/4HP,825RPM,208-230/60/1"					1

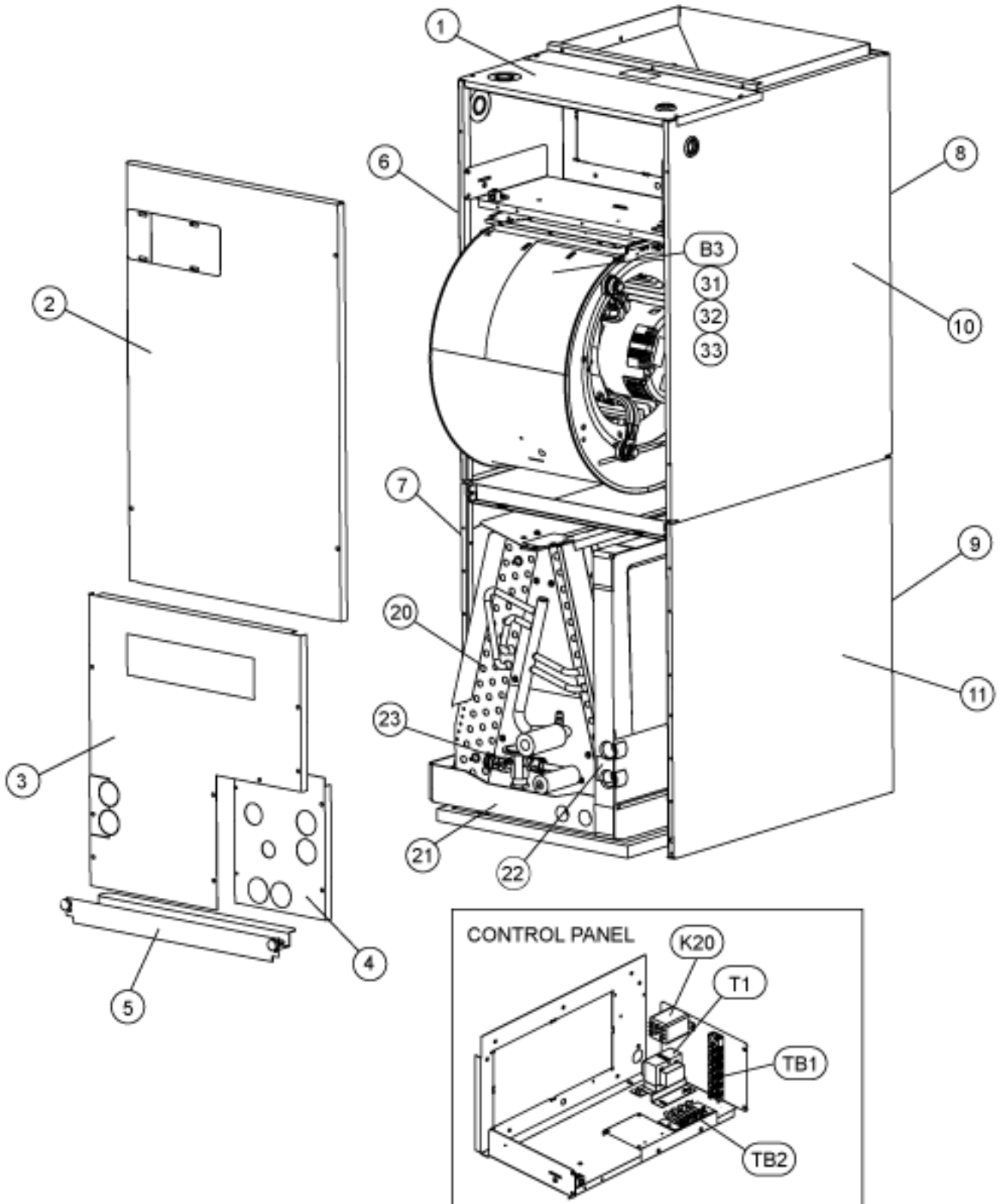
13ACX-060-230				DASH/Revision # with Qty				
Key	Part Name	Part Number	Description	13	14	15	17	18
	CORE-VALVE	100210-01	CORE - VALVE	1	1	1	1	1
	DRIER	100214-03	"LIQUID LINE (FOOTNOTE 1)"	1	1	1	1	1
	DRIER	88K4501	SUCTION LINE (OPTIONAL)	1	1	1	1	1
	FITTING-PRESS TAP	100520-01	PRESSURE TAP	1	1	1	1	1
HR1	HEATER-CRANKCASE	100499-02	"40 WATT, 240 VOLT (OPTIONAL)"	1	1	1	1	1
S173	SWITCH-THERMAL	103048-01	THERMAL SWITCH ASSEMBLY (REPAIR)	1	1	1	1	
	COVER-THERMAL SWITCH	103048-02	THERMAL SWITCH COVER ASSEMBLY (REPAIR)	1	1	1	1	
S4	SWITCH-HI PRES	100103-04	CUTOUT 590 PSIG					
S4	SWITCH-HI PRESS-AUTO	100087-12	CUTOUT 590 PSIG				1	1
S4	SWITCH-HI PRESS-MANUAL	100103-03	CUTOUT 590 PSIG	1	1	1		
Category:INTERLINK ALTERNATE FOR COPELAND COMP.								
	CAPACITOR-FAN&RUN	101074-02	"80 + 10 MFD @ 440VAC"					1
	COMPRESSOR	101995-07	COMPRESSOR ABA054KAA W/HARNESS					1
	COVER-THERMAL SWITCH	103048-02	THERMAL SWITCH COVER ASSEMBLY (REPAIR)					1
	HARNESS-COMP (REPAIR)	102111-01	HARNESS -WIRE (REPAIR)					1
	SWITCH-THERMAL	103048-01	THERMAL SWITCH ASSEMBLY (REPAIR)					1
Category:COPELAND ALTERNATE FOR INTERLINK COMP.								
	CAPACITOR-FAN&RUN	101074-02	"80 + 10 MFD @ 440VAC"	1	1	1	1	
	COMPRESSOR	100040-12	COMPRESSOR ZP54K5E-PFV L/HARNESS	1	1	1	1	
	HARNESS-COMP	15M3501	15M3501 HARNESS-MOLDED PLUG 1PH	1	1	1	1	
Category:CONTROL PANEL PARTS								
C12	CAPACITOR-DUAL	100335-22	70 + 10 MFD @ 370V ROUND					1
C12	CAPACITOR-FAN&RUN	100335-26	"80+10MFD,370VAC"					
C12	CAPACITOR-FAN&RUN	101074-02	"80+10MFD,440VAC"	1	1	1		
C12	CAPACITOR-RUN 75 + 10 MFD @ 440V ROUND	100335-51	75 + 10 MFD @ 440V ROUND				1	

13ACX-060-230				DASH/Revision # with Qty				
Key	Part Name	Part Number	Description	13	14	15	17	18
K1	CONTACTOR	100438-02	"SPST,24V"	1	1	1	1	1
Category:*OPTIONAL PARTS-FIELD INSTALLED								
LC KIT	LOSS OF CHARGE KIT	LB-110135A	INC NEXT PART	1	1	1	1	1
	SWITCH-PRESS	100216-01	"IN 55+5PSIG,OUT 25+5PSIG"	1	1	1	1	1
ST KIT	START KIT	LB-31200BAR	INC NEXT 2 PARTS	1	1	1	1	1
	CAPACITOR-START	63A0601	"176-216 MFD, 320 VAC"	1	1	1	1	1
	RELAY-POTENTIAL	P-8-3577	SPNC	1	1	1	1	1

NOTE

NOTE 1: Compressor uses POE oil. The filter drier MUST BE replaced at time of compressor change. Please advise customer of this requirement.

CB27UH / CBX27UH



CBX27UH-018-230				DASH/Revision # with Qty	
Key	Part Name	Part Number	Description	1	2
Category:CABINET PARTS					
1	CAP-CABINET	LB-107656DL	TOP CAP	1	1
10	WRAPPER	LB-107656EX	TOP-RIGHT	1	1
11	WRAPPER	LB-107656FG	BOTTOM-RIGHT	1	1
2	PANEL	LB-107656EP	BLOWER	1	1
3	PANEL	LB-107656ES	PLUMBING	1	1
4	PLATE	LB-107656DW	PATCH PLATE	1	1
5	PANEL	LB-107656DN	FILTER ACCESS W/SPACER	1	1
			FILTER-AIR"20" X 20" X 1"	1	1
	KIT-HARDWARE	LB-110418A	PKG OF 10 FOR FILTER DOOR	1	1
6	WRAPPER	LB-107656EW	TOP-LEFT	1	1
7	WRAPPER	LB-107656FF	BOTTOM-LEFT	1	1
8	WRAPPER	LB-107656FD	TOP-REAR	1	1
9	WRAPPER	LB-107656FE	BOTTOM-REAR	1	1
Category:COOLING PARTS					
20	COIL-INDOOR	LB-90287R	W/MANIFOLD	1	1
	SEAL-COIL	600580-01	FRONT-TOP	1	1
	SEAL-COIL	LB-113220	FRONT-BOTTOM	1	1
	SEAL-COIL	LB-88436	TOP	1	1
	SEAL-COIL	LB-88615	REAR	1	1
21	PAN-DRAIN	LB-90788B	PAN-DRAIN	1	1
	CHANNEL	LB-88628	DRAIN	1	1
	CHANNEL	LB-88651	CONDENSATE	1	1
22	PAN-DRAIN	93J5801	(HORIZONTAL)	1	1
23	VALVE-EXPANSION	49L2401	VALVE-EXPANSION/CHECK-R410A	1	1

CBX27UH-018-230				DASH/Revision # with Qty	
Key	Part Name	Part Number	Description	1	2
			DISTRIBUTOR ASSY(FOOTNOTE 1)	1	1
	LIQUID LINE KIT	LB-95325A	"INCL 10 LIQUID LINES, WASHER S & NUTS"	1	1
	WASHER KIT	49J2301PR	PKG(12)	1	1
Category:CONTROL PANEL PARTS					
F1	FUSE 3 AMP 32 VOLT	25J4901	TRANSFORMER-3 AMP	1	1
J2	HARNESS-WIRING	LB-112643	9 CIRCUIT (7 WIRES)	1	
J46	HARNESS-WIRING	101190-01	HIGH VOLTAGE (4 WIRES)	1	
J46	HARNESS-WIRING	101190-02	HIGH VOLTAGE (4 WIRES)		1
J49	HARNESS-WIRING	101189-01	SPEED TAP (5 WIRES)	1	1
K20	RELAY	49K0401	"ID BLR,DPDT,240V"	1	1
P2	HARNESS-WIRING	LB-74237	"ASSY #1, 9 CIRCUIT (2 WIRES)"	1	1
P46	HARNESS-WIRING	LB-74936	POWER (4 WIRES)		1
T1	TRANSFORMER	51M1101	"208/230V PRI,24V SEC,70VA L/F USE"	1	
T1	TRANSFORMER, 24V, 70VA W/3.2A CB	101192-01	"208/230V PRI,24V SEC,70VA L/F USE"		1
TB1	STRIP-TERMINAL	100615-06	6 POSITION	1	1
TB2	STRIP-TERMINAL	100615-04	4 POSITION	1	1
Category:BLOWER PARTS					
31	HOUSING-BLOWER	LB-74786A	BLOWER HOUSING SA	1	1
32	PLATE-CUTOFF	LB-89876	CUTOFF PLATE	1	1
33	WHEEL-BLOWER	LB-29333BJ	"1/2""BORE,10"" X 8""	1	1
B3	MOTOR-BLOWER	101207-01	"1/2HP,1200RPM,208-230/60/1 PROGRAMABLE	1	1
	ARM-MOTOR MTG	98G2201	MOTOR MTG. ARM	3	3
	BAND-MOTOR	62A5701	MOTOR MTG	1	1
	GROMMET	43H8101	GROMMET	3	3

NOTE

DISTRIBUTOR ASSEMBLIES ARE NOT SET UP AS A REPAIR PART. IF COIL HAS MULTIPLE LEAKS IN THE DISTRIBUTOR AS