



**SUBMITTAL DATA – WALL-MOUNTED**

**LI012CO-210P432 - LI012CI-210P432**

**SINGLE ZONE INVERTER MINI-SPLIT COOLING ONLY**

Job: \_\_\_\_\_  
 Location: \_\_\_\_\_  
 Schedule No.: \_\_\_\_\_  
 System Designation: \_\_\_\_\_

Engineer: \_\_\_\_\_  
 Architect: \_\_\_\_\_  
 Date: \_\_\_\_\_  
 For:  Reference  Approval  Review  Construction

**FEATURES**

Outdoor Unit: LI012CO-210P432  
CAT No.: 18J04

Indoor Unit: LI012CI-210P432  
CAT No.: 18J03



- DC Inverter Compressor
- DC ODU Motor
- Golden Fin
- Electronic Expansion Valve
- Low Ambient Cooling
- Low Voltage Startup
- 3 Meter Copper Pipe Included

- Auto Restart
- Four Selectable Fan Speeds
- Hidden LED Display
- Wireless Remote Included
- Photocatalytic Filter Included
- I Feel Function

**Line Set and Elevation Guidelines**

Maximum Line Set Length ft. (m)	65.6 ft. (20 m)
Maximum Elevation - Outdoor Unit Below/Above Indoor Unit ft. (m)	40 ft. (12 m)
Liquid Line Set Diameter (in.)	1/4
Gas Line Set Diameter (in.)	3/8

**PRODUCT WARRANTY**

Five year limited warranty\*  
 \*Product registration required

**OPTIONAL ACCESSORIES**

Wifi Module(Y9840, WSBTC04)  
 Programmable Wired Control(CAT.XK76)  
 Non Programmable Wired Control(CAT.XE71-44/G)



NOTE – Due to Lennox' ongoing commitment to quality, Specifications, Ratings, and Dimensions are subject to change without notice and without incurring liability. Improper installation, adjustment, alteration, service or maintenance can cause property damage or personal injury. Installation and service must be performed by a qualified installer and servicing agency.



**SUBMITTAL DATA – WALL-MOUNTED**

**LI012CO-210P432 - LI012CI-210P432**

**SINGLE ZONE INVERTER MINI-SPLIT COOLING ONLY**

**OUTDOOR SPECIFICATIONS**

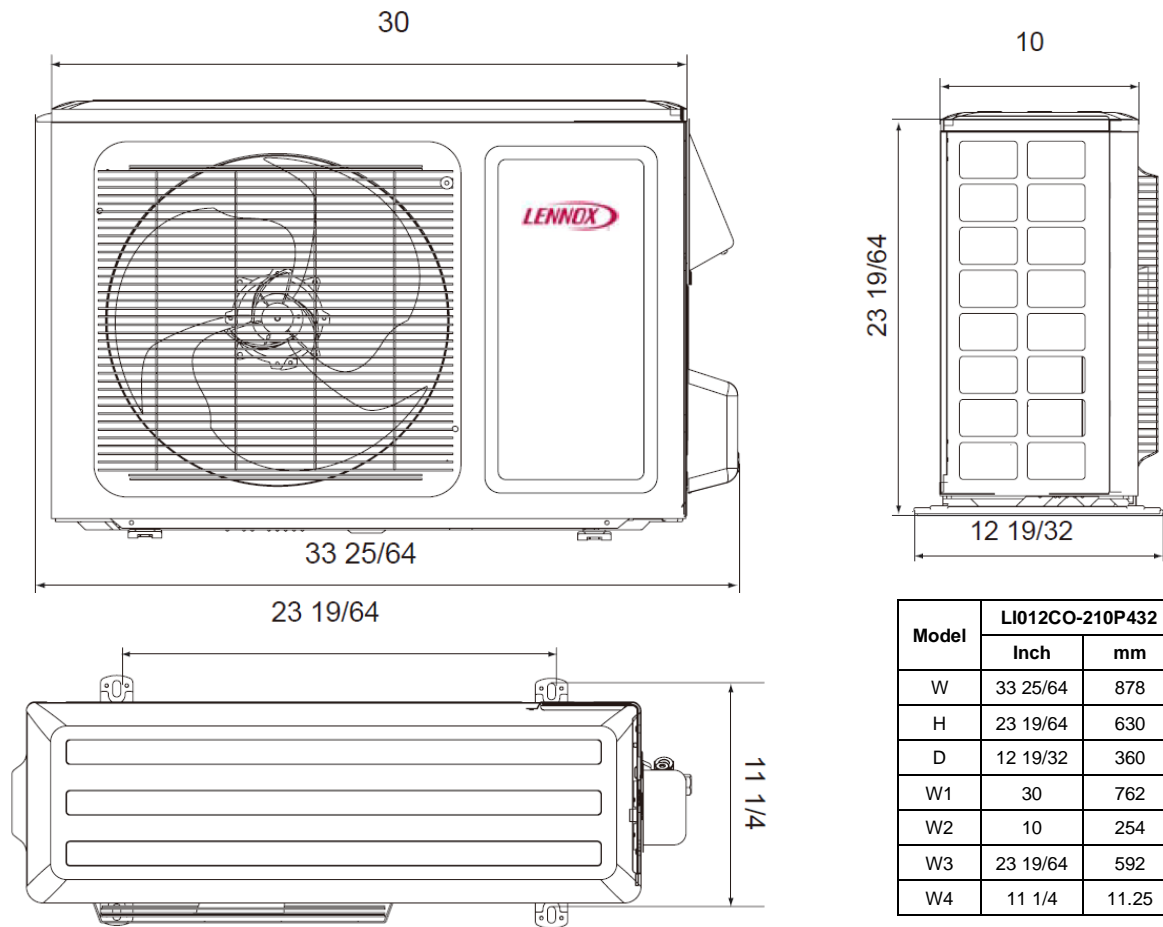
PERFORMANCE	
Cooling Capacity (Btu/h) <sup>1</sup>	12,000
EER	3.23
SEER	20
Heating Capacity (Btu/h) <sup>1</sup>	/
HSPF	/
Outdoor Fan Total Air Volume (CFM)	1,295
Ambient Temperature Operating Range	
Cooling	-4°F(-20°C) - 115°F(46°C)
Heating	/
ELECTRICAL DATA	
Power Supply (V/Hz/Φ)	208-230/60/1
Minimum Circuit Ampacity (A)	9
Maximum Overcurrent Protection (A)	15
Outdoor Fan Motor RLA (A)	0.37
Compressor RLA (A)	6.6
No. of Compressors	1

GENERAL DATA	
Connection Ratio (%)	100%
Max. # of Indoor Units	1 unit
Sound Pressure (dBA)	52
Refrigerant type	R-410A
Factory refrigerant charge	2.1 lbs. 34.2 oz.
DIMENSIONS	
Unit Dimensions (in)	Height 23-19/64
	Width 33-25/64
	Depth 12-19/32
Shipping Weight (lb)	77.2
Net Weight (lb)	70.6

**NOTES**

Cooling and Heating Capacity data is rated at the following conditions:  
 Cooling: 81°FDB / 66°FWB Indoor, 95°FDB/ 75°FWB Outdoor  
 Heating: 70°FDB / 60°FWB Indoor, 19.94°FDB/ 19.04°FWB Outdoor

**OUTDOOR DIMENSIONAL DRAWINGS - INCHES (MM)**



Model	LI012CO-210P432	
	Inch	mm
W	33 25/64	878
H	23 19/64	630
D	12 19/32	360
W1	30	762
W2	10	254
W3	23 19/64	592
W4	11 1/4	11.25

NOTE – Due to Lennox' ongoing commitment to quality, Specifications, Ratings, and Dimensions are subject to change without notice and without incurring liability. Improper installation, adjustment, alteration, service or maintenance can cause property damage or personal injury. Installation and service must be performed by a qualified installer and servicing agency.



**SUBMITTAL DATA – WALL-MOUNTED**

**LI012CO-210P432 - LI012CI-210P432**

**SINGLE ZONE INVERTER MINI-SPLIT COOLING ONLY**

**INDOOR SPECIFICATIONS**

PERFORMANCE			
Airflow (CFM)	Turbo		371
	High		294
	Medium		235
	Low		182
External Static Pressure (in. w.g.)			-
Sound Pressure (dBA)	Turbo		42
	High		39
	Medium		34
	Low		28

**ELECTRICAL DATA**

Power Supply (V/Hz/Φ)	Supplied by ODU		
Rated load amps (RLA)	0.31		
Power Output (W)	20		

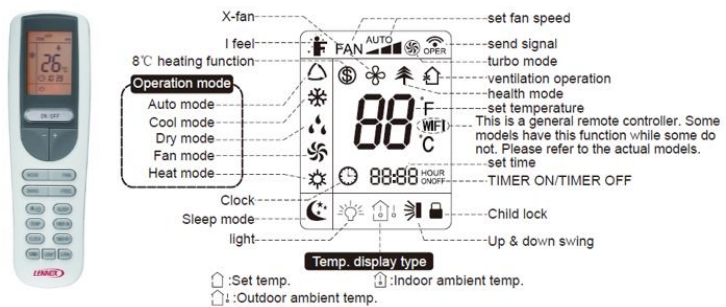
**DIMENSIONS**

Unit Dimensions (in)	Height	11-1/2	
	Width	35-13/64	
	Depth	8-21/64	
Unit Net/Shipping Weight (lb)		23.3/27.6	

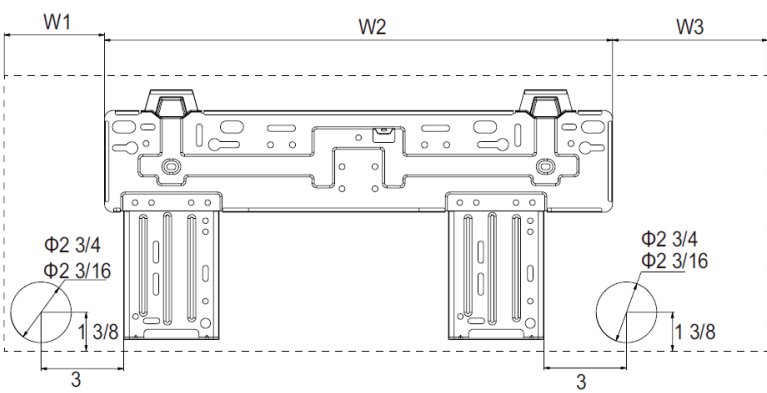
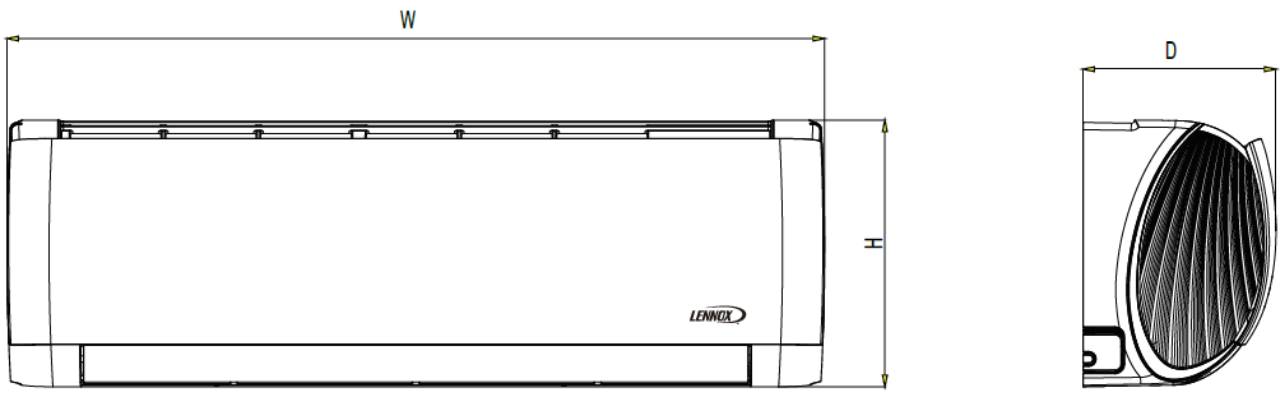
**WIRELESS REMOTE CONTROLLER SPECIFICATIONS**

<b>YAA1FB</b>	
Power Supply	2 AAA Batteries (Included)
Setpoint Range	61°F(16°C) - 86°F(30°C)
Effective Receiving Range	26 ft.(8m)

**DISPLAY**



**INDOOR DIMENSIONAL DRAWINGS - INCHES(MM)**



Model	LI012CI-210P432	
	Inch	mm
W	35 13/64	894
H	11 1/2	291
D	8 21/64	211
W1	8 1/64	204
W2	21 21/64	542
W3	5 27/32	148

NOTE – Due to Lennox' ongoing commitment to quality, Specifications, Ratings, and Dimensions are subject to change without notice and without incurring liability. Improper installation, adjustment, alteration, service or maintenance can cause property damage or personal injury. Installation and service must be performed by a qualified installer and servicing agency.  
 495616 (201905) ©2019 Lennox Industries, Inc.