



SUBMITTAL DATA – WALL-MOUNTED

LI018CO-210P432 - LI018CI-210P432

SINGLE ZONE INVERTER MINI-SPLIT COOLING ONLY

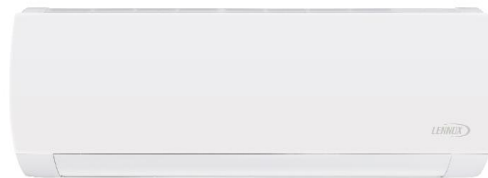
Job: _____
 Location: _____
 Schedule No.: _____
 System Designation: _____

Engineer: _____
 Architect: _____
 Date: _____
 For: Reference Approval Review Construction

FEATURES

Outdoor Unit: LI018CO-210P432
CAT No.: 18J06

Indoor Unit: LI018CI-210P432
CAT No.: 18J05



- DC Inverter Compressor
- DC ODU Motor
- Golden Fin
- Electronic Expansion Valve
- Low Ambient Cooling
- Low Voltage Startup
- 3 Meter Copper Pipe Included

- Auto Restart
- DC IDU Motor
- Four Selectable Fan Speeds
- Hidden LED Display
- Wireless Remote Included
- Photocatalytic Filter Included
- I Feel Function

Line Set and Elevation Guidelines

Maximum Line Set Length ft. (m)	100 ft. (30 m)
Maximum Elevation - Outdoor Unit Below/Above Indoor Unit ft. (m)	50 ft. (15 m)
Liquid Line Set Diameter (in.)	1/4"
Gas Line Set Diameter (in.)	1/2"

PRODUCT WARRANTY

Five year limited warranty*
 *Product registration required

OPTIONAL ACCESSORIES

Wifi Module(Y9840, WSBTC04)
 Programmable Wired Control(CAT.XK76)
 Non Programmable Wired Control(CAT.XE71-44/G)



NOTE – Due to Lennox' ongoing commitment to quality, Specifications, Ratings, and Dimensions are subject to change without notice and without incurring liability. Improper installation, adjustment, alteration, service or maintenance can cause property damage or personal injury. Installation and service must be performed by a qualified installer and servicing agency.



SUBMITTAL DATA – WALL-MOUNTED

LI018CO-210P432 - LI018CI-210P432

SINGLE ZONE INVERTER MINI-SPLIT COOLING ONLY

OUTDOOR SPECIFICATIONS

PERFORMANCE

Cooling Capacity (Btu/h) ¹	17,400
EER	2.95
SEER	20
Heating Capacity (Btu/h) ¹	/
HSPF	/
Outdoor Fan Total Air Volume (CFM)	2,400
Ambient Temperature Operating Range	
Cooling	-4°F(-20°C) - 115°F(46°C)
Heating	/

ELECTRICAL DATA

Power Supply (V/Hz/Φ)	208-230/60/1
Minimum Circuit Ampacity (A)	12
Maximum Overcurrent Protection (A)	20
Outdoor Fan Motor RLA (A)	0.3
Compressor RLA (A)	8.5
No. of Compressors	1

GENERAL DATA

Connection Ratio (%)	100%
Max. # of Indoor Units	1 unit
Sound Pressure (dBA)	52
Refrigerant type	R-410A
Factory refrigerant charge	2.31 lbs. 37 oz.

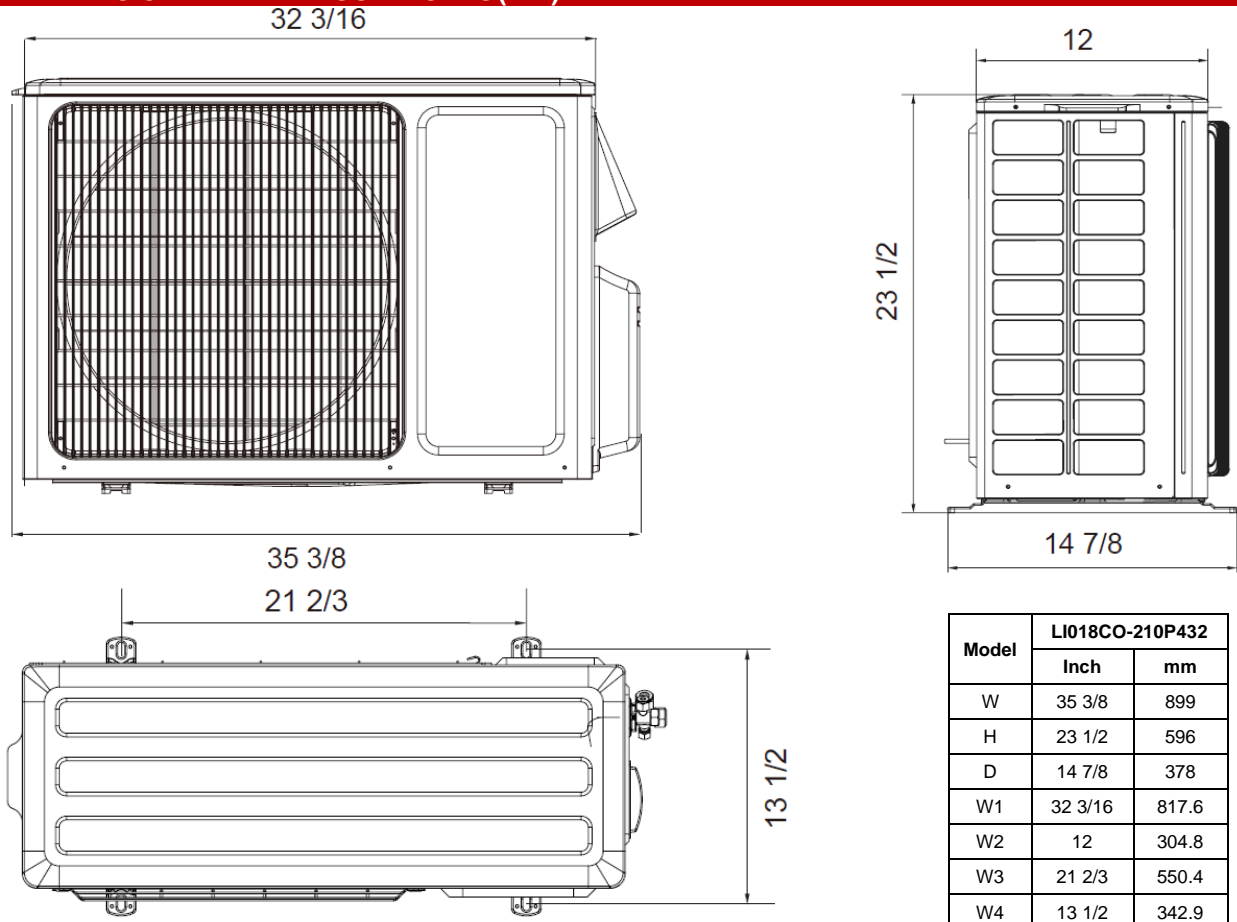
DIMENSIONS

Unit Dimensions (in)	Height	23-1/2
	Width	35-3/8
	Depth	14-7/8
Shipping Weight (lb)		87.1
Net Weight (lb)		80.5

NOTES

Cooling and Heating Capacity data is rated at the following conditions:
 Cooling: 81°FDB / 66°FWB Indoor, 95°FDB/ 75°FWB Outdoor
 Heating: 70°FDB / 60°FWB Indoor, 19.94°FDB/ 19.04°FWB Outdoor

OUTDOOR DIMENSIONAL DRAWINGS - INCHES (MM)



NOTE – Due to Lennox' ongoing commitment to quality, Specifications, Ratings, and Dimensions are subject to change without notice and without incurring liability. Improper installation, adjustment, alteration, service or maintenance can cause property damage or personal injury. Installation and service must be performed by a qualified installer and servicing agency.



SUBMITTAL DATA – WALL-MOUNTED

LI018CO-210P432 - LI018CI-210P432

SINGLE ZONE INVERTER MINI-SPLIT COOLING ONLY

INDOOR SPECIFICATIONS

PERFORMANCE			
Airflow (CFM)	Turbo	530	
	High	441	
	Medium	412	
	Low	335	
External Static Pressure (in. w.g.)		-	
Sound Pressure (dBA)	Turbo	47	
	High	42	
	Medium	38	
	Low	31	

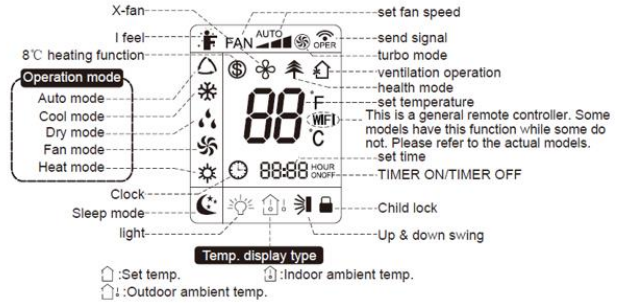
ELECTRICAL DATA	
Power Supply (V/Hz/Φ)	Supplied by ODU
Rated load amps (RLA)	0.3
Power Output (W)	60

DIMENSIONS		
Unit Dimensions (in)	Height	12
	Width	40
	Depth	8-45/64
Unit Net/Shipping Weight (lb)		29.8/36.4

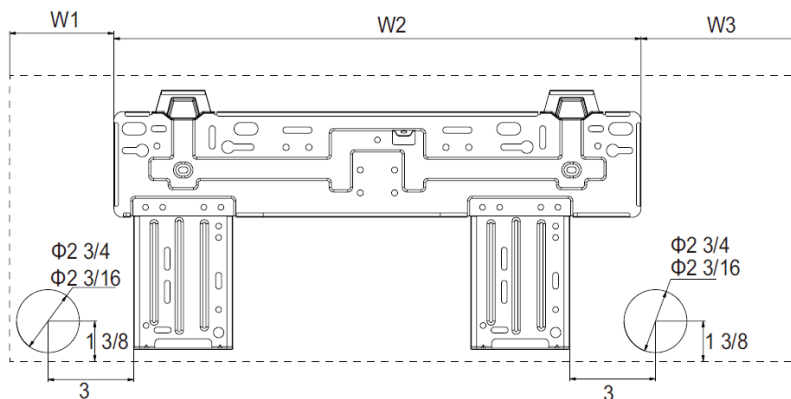
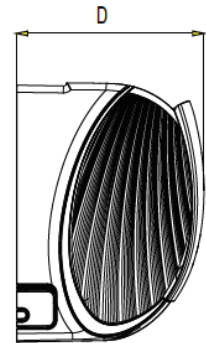
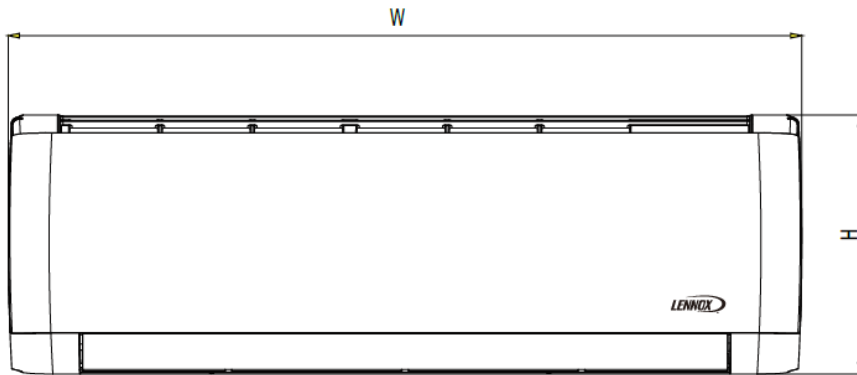
WIRELESS REMOTE CONTROLLER SPECIFICATIONS

YAA1FB	
Power Supply	2 AAA Batteries (Included)
Setpoint Range	61°F(16°C) - 86°F(30°C)
Effective Receiving Range	26 ft.(8m)

DISPLAY



INDOOR DIMENSIONAL DRAWINGS - INCHES (MM)



Model	LI018CI-210P432	
	Inch	mm
W	40	1017
H	12	304
D	8 45/64	221
W1	5	127
W2	27	685.8
W3	8 1/16	204.8

NOTE – Due to Lennox' ongoing commitment to quality, Specifications, Ratings, and Dimensions are subject to change without notice and without incurring liability. Improper installation, adjustment, alteration, service or maintenance can cause property damage or personal injury. Installation and service must be performed by a qualified installer and servicing agency.