



Submittal:

Models:

LICH4024180P431-C / LISH024000P431-C

LICH4036180P431-C / LISH036000P431-C

LICH4048180P431-C / LISH048000P431-C

(Refrigerant R410A)

Thank you for selecting LENNOX air conditioners.

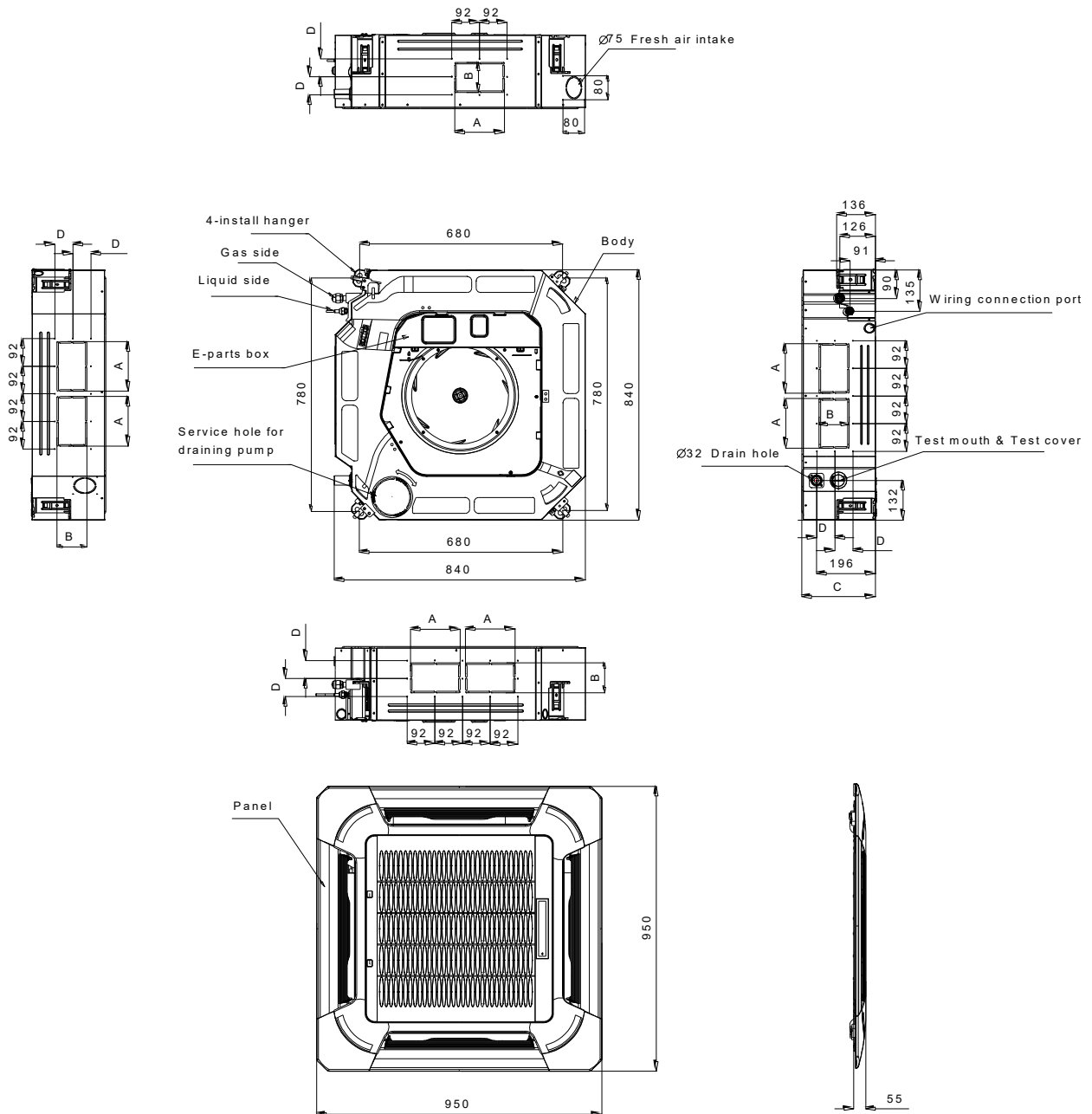
1. Specification

Indoor Model			LICH4024180P431-C	LICH4036180P431-C	LICH4048180P431-C
Power supply		V-ph-Hz	208-230V~ 60Hz, 1Ph	208-230V~ 60Hz, 1Ph	208-230V~ 60Hz, 1Ph
Cooling A2	Capacity	Btu/h	24000	36000	48000
	EER	Btu/W	12.5	9	9.5
	SEER		20	17.5	16.8
Heating at 47F H12	Capacity	Btu/h	24400	38000	50000
	COP	Btu/W	11	10.2	10.6
	HSPF4		10.5	10.5	11
	HSPF5		8.4	9.1	9.4
Minimum circuit ampacity		A	18	30	35
Max.fuse		A	25	50	50
Indoor fan motor	Model		ZKFP-42-8-1	ZKFP-124-8-2	ZKFN-170-8-1
	Old Model		WZDK42-38G	WZDK124-38G	/
	Qty		1	1	1
	Input	w	42	124	170
	RLA	A	2	1.5	1.6
	LRA	A	/	/	/
	Winding Resistance	Ω	/	/	/
	Capacitor	uF	/	/	/
	Speed(hi/mi/lo)	r/min	600/520/450	720/630/560	950/900/800/700
Indoor coil	a.Number of rows		2	3	3
	b.Tube pitch(a)x row pitch(b)	mm	21x13.37	21x13.37	21x13.37
		inch	0.83x0.53	0.83x0.53	0.83x0.53
	c.Fins/inch		18	18	18
	d.Fin type (code)		Hydrophilic aluminium	Hydrophilic aluminium	Hydrophilic aluminium
	e.Tube outside dia.and type	mm	Φ7,innergroove tube	Φ7,innergroove tube	Φ7,innergroove tube
	f.Coil length x height x width	mm	2010x168x26.74	2080x210x40.11	965x252x40.11+965x252x40.11
inch		79.13x6.61x1.05	81.89x8.27x1.58	37.99x9.92x1.58+37.99x9.92x1.58	
g.Number of circuits		8	10	10	
Indoor air flow (Hi/Med/Lo)		m ³ /h	1189/1082/974	1861/1628/1375	2000/1750/1450
Indoor air flow (Hi/Med/Lo)		CFM	700/636/573	1095/958/809	1177/1030/853
Indoor noise level (sound pressure) (Hi/Mid/Lo)		dB(A)	51/47/43	55/52/49	55/52/49
Throttle type			/	/	/
Indoor unit	Dimension (W x Dx H)(body)	mm	840x840x205	840x840x245	840x840x287
	Dimension (W x Dx H)(body)	inch	33.07x33.07x8.07	33.07x33.07x9.65	33.07x33.07x11.3
	Packing (W x Dx H)(body)	mm	900x900x217	900x900x257	900x900x292
	Packing (W x Dx H)(body)	inch	35.43x35.43x8.54	35.43x35.43x10.12	35.43x35.43x11.5
	Dimension (W x Dx H)(panel)	mm	950x950x55	950x950x55	950x950x55
	Dimension (W x Dx H)(panel)	inch	37.4x37.4x2.17	37.4x37.4x2.17	37.4x37.4x2.17
	Packing (W x Dx H)(panel)	mm	1035x1035x90	1035x1035x90	1035x1035x90
	Packing (W x Dx H)(panel)	inch	40.75x40.75x3.54	40.75x40.75x3.54	40.75x40.75x3.54
	Net/Gross weight(body)	kg	21/24.6	26.4/30	28.7/32.9
	Net/Gross weight(body)	lbs.	46.3/54.23	58.2/66.14	63.27/72.53
	Net/Gross weight(panel)	kg	5/8	5/8	5/8
	Net/Gross weight(panel)	lbs.	11.02/17.64	11.02/17.64	11.02/17.64

Design pressure		PSIG	550/340 PSIG	550/340 PSIG	550/340 PSIG
Drainage water pipe dia.		mm	ODΦ32	ODΦ32	ODΦ32
Refrigerant piping	Liquid side/ Gas side	mm	Φ9.52/Φ15.9(3/8"/5/8")	Φ9.52/Φ15.9(3/8"/5/8")	Φ9.52/Φ15.9(3/8"/5/8")
Room temperature	Cooling	°C	17~32	17~32	17~32
	Cooling	°F	62~90	62~90	62~90
	Heating	°C	0~30	0~30	0~30
	Heating	°F	32~86	32~86	32~86
Operation temperature		°C	17~30	17~30	17~30
		°F	62~86	62~86	62~86

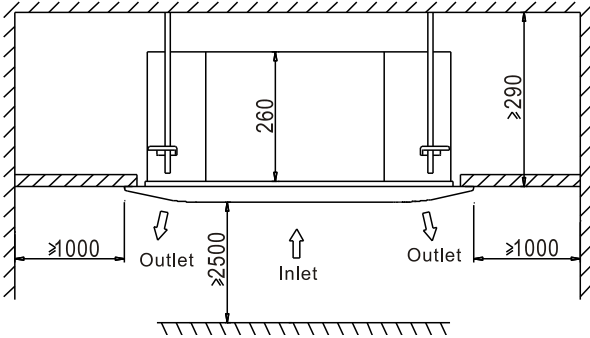
2. Dimensions

LICH4024180P431-C / LICH4036180P431-C / LICH4048180P431-C

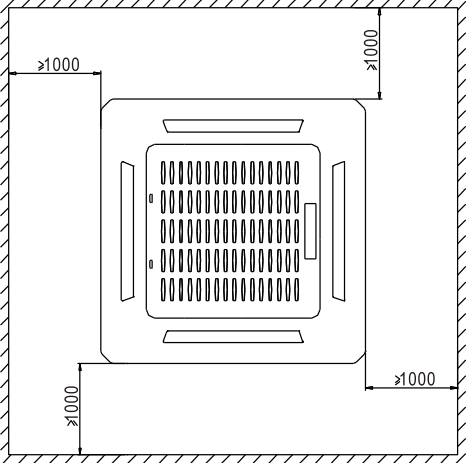


Capacity (Btu/h)		A	B	C	D
24K	mm	160	75	205	50
	inch	6.30	2.95	8.07	1.97
36K	mm	160	95	245	60
	inch	6.30	3.74	9.65	2.36
48K	mm	160	95	287	60
	inch	6.30	3.74	11.30	2.36

3. Service Space

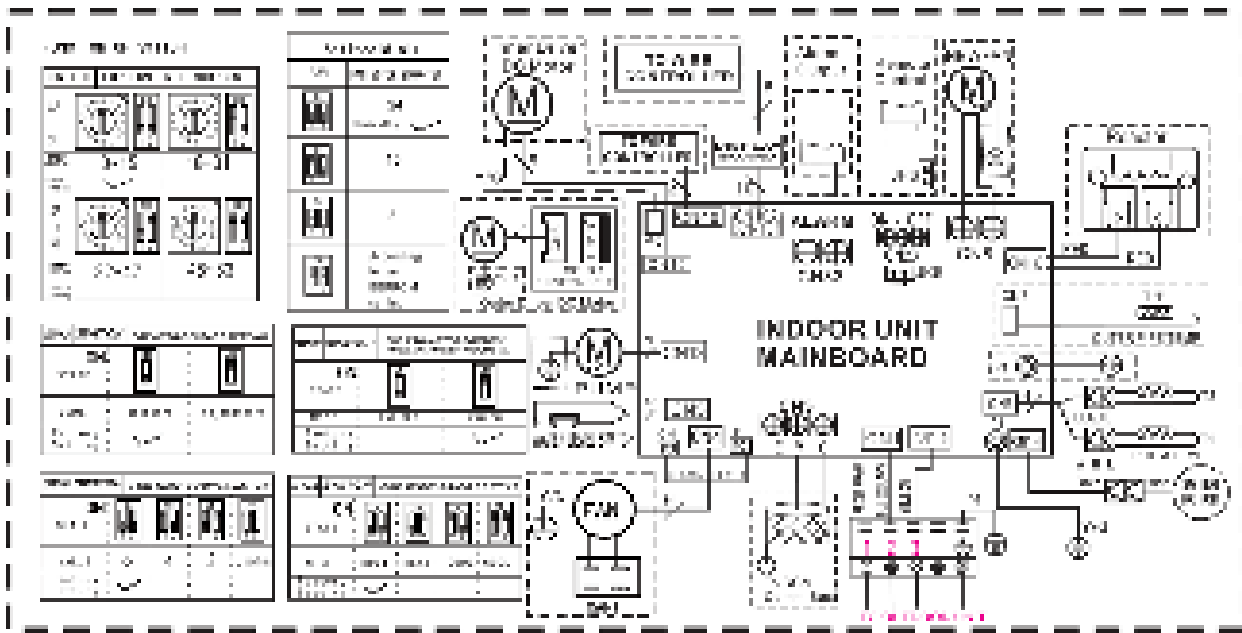


Unit: mm

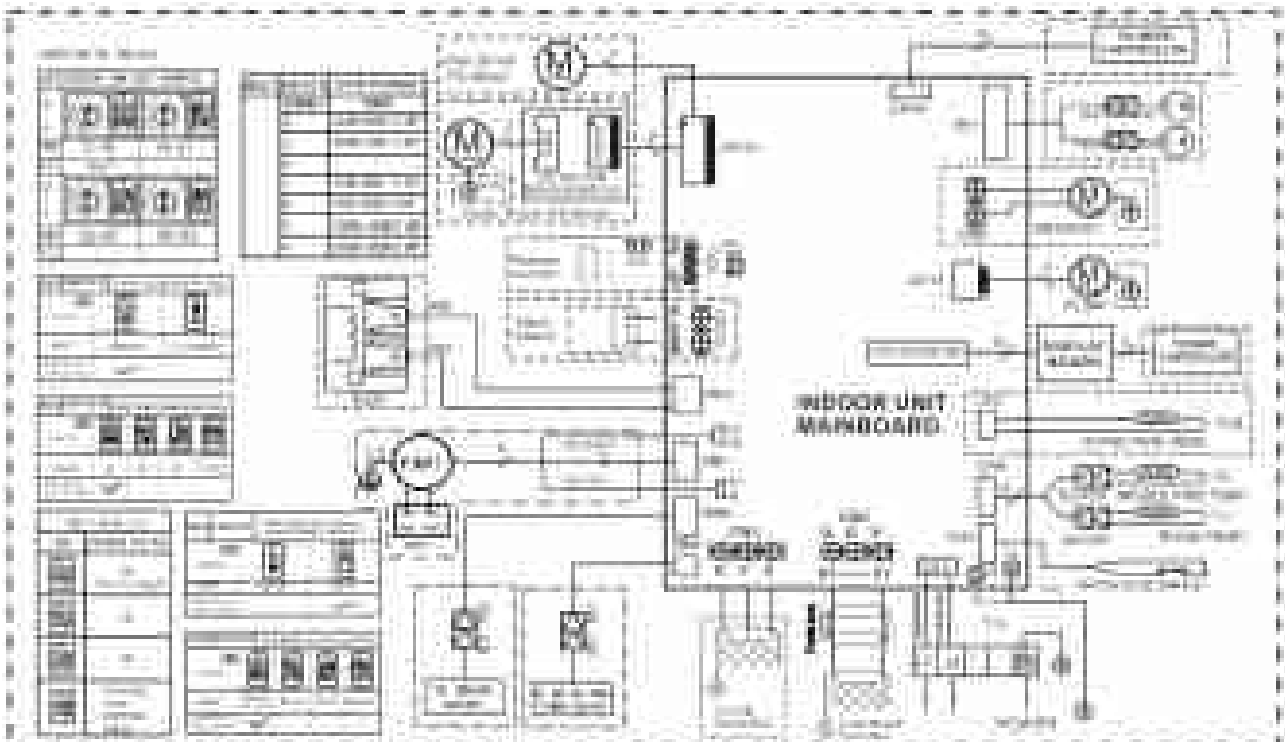


4. Wiring Diagrams

LICH4024180P431-C



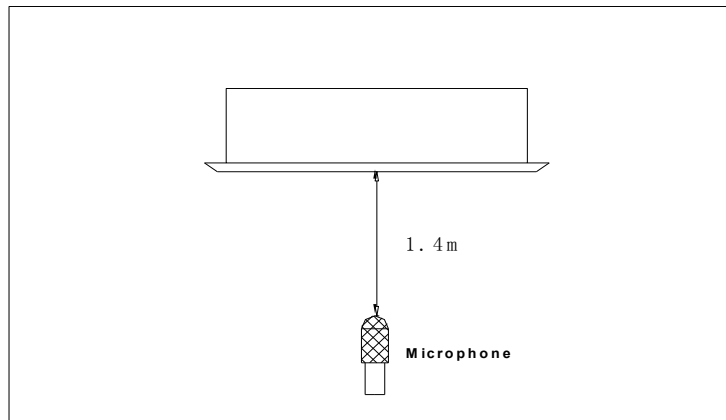
LICH4036180P431-C / LICH4048180P431-C



5. Electric Characteristics

Model	Indoor Unit			
	Hz	Voltage	Min.	Max.
LICH4024180P431-C	60	208-230V	187V	253V
LICH4036180P431-C	60	208-230V	187V	253V
LICH4048180P431-C	60	208-230V	187V	253V

6. Sound Levels



Model	Noise level dB(A)		
	H	M	L
LICH4024180P431-C	51	47	43
LICH4036180P431-C	52	47	44
LICH4048180P431-C	53	49	45

7. The Specification of Power

Type		LICH4024180P431-C	LICH4036180P431-C	LICH4048180P431-C
Power	Phase	1-phase	1-phase	1-phase
	Frequency and Voltage	208-230V, 60Hz	208-230V, 60Hz	208-230V, 60Hz
Circuit Breaker/ Fuse (A)		40/30	60/40	70/55
Indoor Unit Power Wiring (mm ²)		-	-	-
Indoor/Outdoor Connecting Wiring	Ground Wiring	2	4	4
	Outdoor Unit Power Wiring	3×2.0	3×4.0	3×4.0
	Strong Electric Signal	4×1.5	3×1.5	3×1.5
	Weak Electric Signal	-	3×0.5	3×0.5

8. Field Wiring

LICH4024180P431-C / LICH4036180P431-C / LICH4048180P431-C

