



Submittal:

Models:

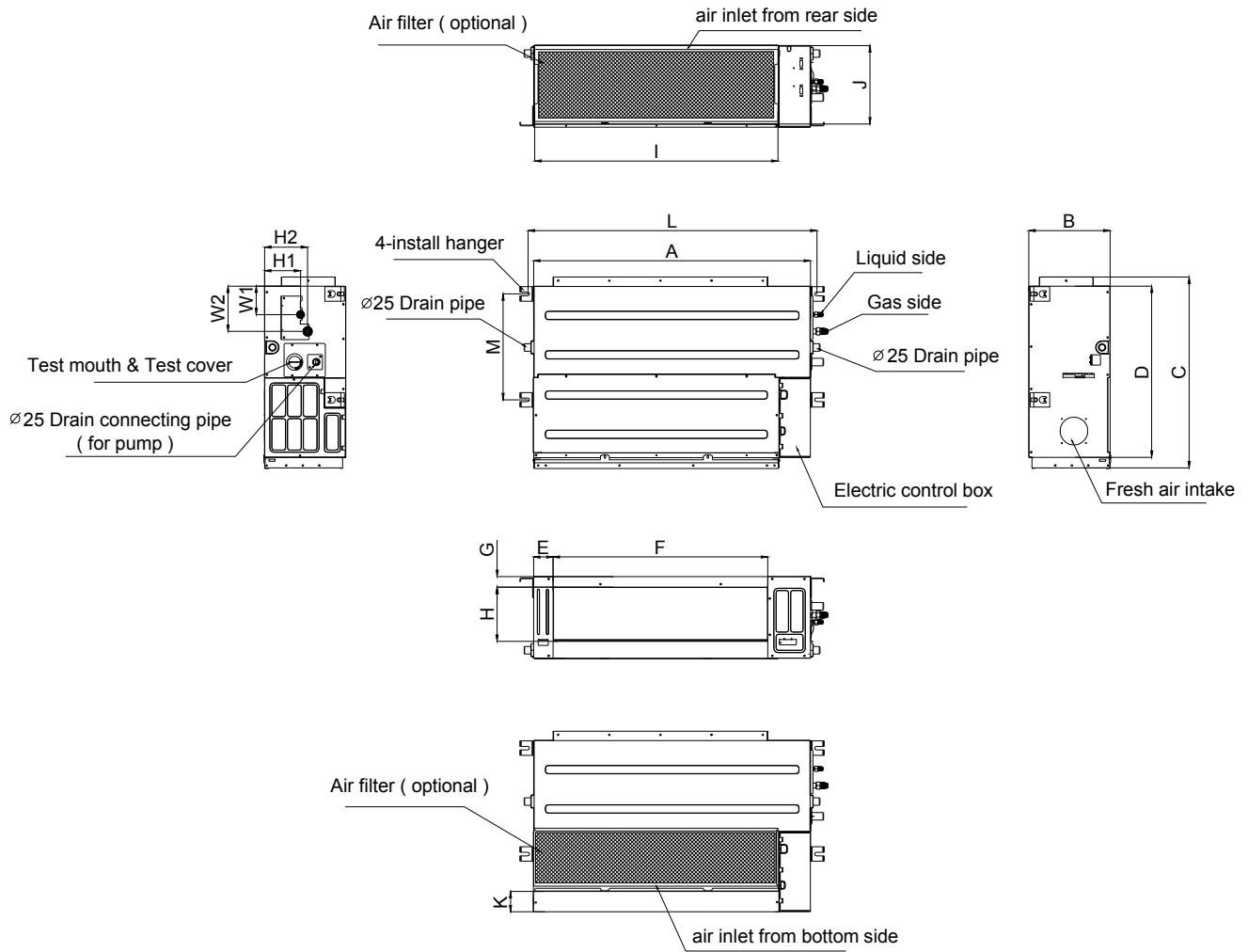
LIFHC024160P431 / LIHP024000P431
LIFHC036160P431 / LIHP036000P431
LIFHC048160P431 / LIHP048000P431
(Refrigerant R410A)

Thank you for selecting LENNOX air conditioners.

1. Specifications

Indoor Model			LIFHC024160P431	LIFHC036160P431	LIFHC048160P431
Power supply		V-ph-Hz	208~230-1-60	208~230-1-60	208~230-1-60
Cooling	Capacity	Btu/h	24000	36000	48000
	EER	Btu/W	11	8	8.4
	SEER		16.5	15	15
Heating	Capacity	Btu/h	25000	36000	49000
	HSPF4		8.2	9	10
	HSPF5		7.3	7.5	8.5
Minimum circuit ampacity	A		2.5	1.9	2.3
Max.fuse	A		15	15	15
Indoor fan motor	Model		WZDK90-38GS-W	WZDK150-38GS-W	WZDK240-38GS
	Qty		1	1	1
	Input	W	90	150	240
	Capacitor	uF	/	/	/
	Speed	r/min	1030/880/800	1100/950/800	1200/1100/1020
Indoor air flow (Hi/Med/Lo) (No duct)		m ³ /h	1380/1100/1000	2000/1600/1150	2500/2000/1600
Indoor air flow (Hi/Med/Lo) (No duct)		CFM	810/650/590	1180/940/680	1470/1180/940
Indoor external static pressure (MAX)		Pa	70	80	100
Indoor noise level (Hi/Med/Lo)		dB(A)	50/47/43	51/48/44	49/46/43
Throttle type			/	/	/
Indoor unit	Dimension (WxDxH)	mm	920x635x270	1140x775x270	1200x865x300
	Dimension (WxDxH)	inch	36.22x25x10.63	44.88x30.51x10.63	47.24x34.06x11.81
	Packing(WxDxH)	mm	1135x655x350	1355x795x350	1385x920x373
	Packing(WxDxH)	inch	44.68x25.79x13.78	53.35x31.3x13.78	54.53x36.22x14.69
	Net/Gross weight	kg	30/35	35/42	45/53
	Net/Gross weight	lbs.	66.14/77.16	77.16/92.59	99.21/116.84
Design pressure		PSIG	550/340 PSIG	550/340 PSIG	550/340 PSIG
Drainage water pipe diameter		mm	ODΦ25	ODΦ25	ODΦ25
Refrigerant piping	Liquid side/ Gas side	mm	Φ9.52/Φ15.9(3/8"/5/8")	Φ9.52/Φ15.9(3/8"/5/8")	Φ9.52/Φ15.9(3/8"/5/8")
Controller			Wired	Wired	Wired
Room temperature	Cooling	°C	17~32	17~32	17~32
	Cooling	°F	62~90	62~90	62~90
	Heating	°C	0~30	0~30	0~30
	Heating	°F	32~86	32~86	32~86
Operation temperature	°C		17~30	17~30	17~30
	°F		62~86	62~86	62~86
Outdoor Model			LIHP024000P431	LIHP036000P431	LIHP048000P431
Max. fuse	A		30	50	55
Minimum circuit ampacity	A		20	30	35
Low temperature heating capacity (2°C)		Btu/h	16815	20615	34175
Low temperature heating capacity (-7°C)		Btu/h	17495	18230	28595
Compressor	Model		DA250S2C-30MT	TNB306FPGMC-L	MNB36FAAMC-L
	Type		Twin-rotary	Twin-rotary	Twin-rotary
	Brand		GMCC	Mitsubishi	Mitsubishi
	Capacity	Btu/h	26289	33711	40603
	Input	W	2120	3010	3520
	Rated current (RLA)	A	13.9	22	23.5
	Locked rotor Amp(LRA)	A	/	/	/
	Refrigerant oil	ml	820	1070	1400
Outdoor fan motor	Model		WZDK72-38G	WZDK180-38G	WZDK85-38G
	Qty		1	1	2
	Input	W	72	180	85
	Capacitor		/	/	/
	Speed	r/min	850	860	1000
Outdoor air flow (Max.)		m ³ /h	3500	5500	7200
Outdoor air flow (Max.)		CFM	2060	3240	4240
Outdoor noise level		dB(A)	61.5	66	64
Throttle type			Capillary +EXV	Capillary +EXV	Capillary +EXV
Outdoor unit	Dimension (W×D×H)	mm	900x315x860	990x345x965	938x392x1369
	Dimension (W×D×H)	inch	35.43x12.4x33.86	38.98x13.58x37.99	36.93x15.43x53.9
	Packing (W×D×H)	mm	1043x395x915	1120x435x1100	1095x495x1505
	Packing (W×D×H)	inch	41.06x15.55x36.02	44.09x17.13x43.31	43.11x19.49x59.25
	Net/ Gross weight	kg	61/65	73/83	100/114
	Net/ Gross weight	lbs.	134.48/143.3	160.94/182.98	220.46/251.33
Refrigerant type/Qty	Type		R410A	R410A	R410A
	Charged volume	Oz	86.5	97.00	152.00
Refrigerant precharge		ft	25	25	25
Additional charge for each ft		oz	0.32	0.32	0.32
Design pressure		PSIG	550/340	550/340	550/340
Refrigerant piping	Liquid side/ Gas side	mm(inch)	Φ9.52/Φ15.9(3/8"/5/8")	Φ9.52/Φ15.9(3/8"/5/8")	Φ9.52/Φ15.9(3/8"/5/8")
	Max. pipe length	m	50	65	65
	Max. pipe length	ft	164	213	213
	Max. difference in level	m	25	30	30
	Max. difference in level	ft	82	98	98
Ambient temperat	Cooling	°C	-15~50	-15~50	-15~50
	Cooling	°F	5~122	5~122	5~122
	Heating	°C	-15~24	-15~24	-15~24
	Heating	°F	5~76	5~76	5~76

2. Dimensions



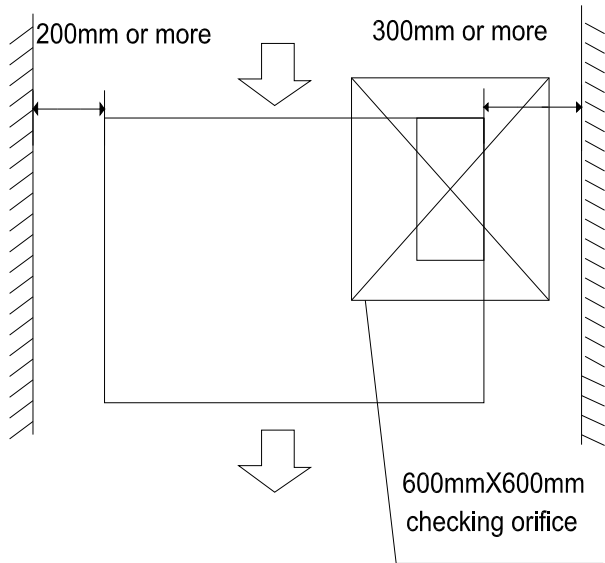
Note: standard product without filter

Capacity(KBtu/h)	Outline dimension(mm)				Air outlet opening size				Air return opening size			Size of install hanger		Size of refrigerant pipe			
	A	B	C	D	E	F	G	H	I	J	K	L	M	H1	H2	W1	W2
	24	920	270	635	570	65	713	35	179	815	260	20	960	350	120	143	95
36	1140	270	775	710	65	933	35	179	1035	260	45	1240	500	120	143	95	150
48	1200	300	865	800	80	968	40	204	1094	288	45	1240	500	175	198	155	210

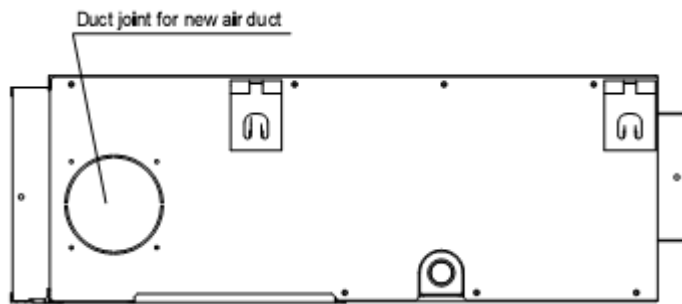
Unit: mm

3. Service Space

Ensure enough space required for installation and maintenance.

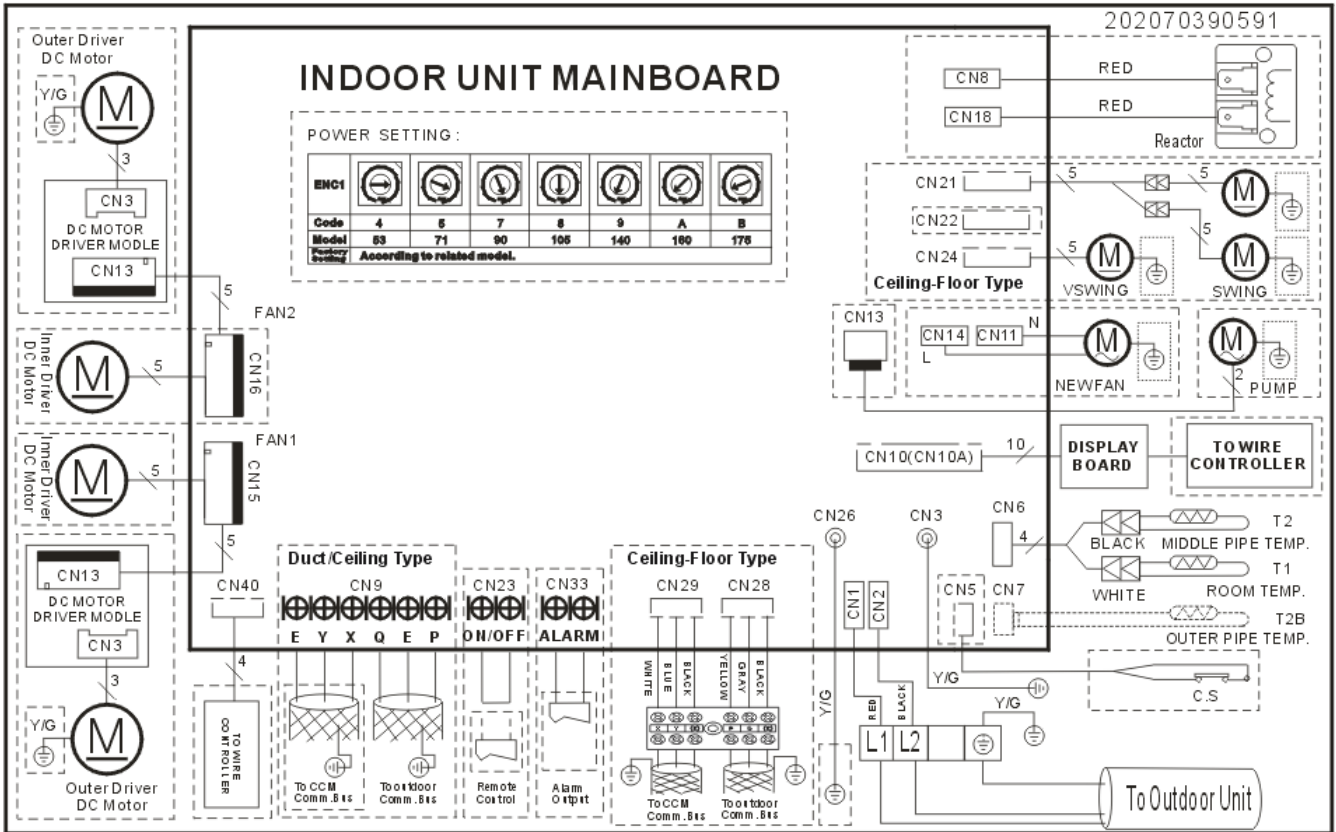


All the indoor units reserve the hole to joint the fresh air pipe. The hole size as following:



MODLE	
12-24	30-60
<p>Ø90mm</p> <p>80mm</p> <p>80mm</p>	<p>Ø125mm</p> <p>Ø160mm</p>

4 Wiring Diagrams LIFHC024, LIFHC36, LIFHC048



For Setting NETAddress

81+82				
Code	0~F 00	0~F 01	0~F 10	0~F 11
NETAddress	0~15	16~31	32~47	48~63
Factory Setting	✓			

For Setting POWER

ENC1							
Code	4	5	7	8	9	A	B
POWER	53	71	90	105	140	160	175
Factory Setting	According to related model.						

For Setting static pressure

ENC2					
Code	0	1	2	3	4
high static pressure	0~50	51~80	81~120	121~150	>150
Middle static pressure	0~25	26~37	38~50	51~100	>100
Factory Setting	✓				

For temp. compensation

SW6				
TYPE	/	/	/	/
DUCTTYPE	3°C	4°C	6°C	According to E Function
CEILING AND FLOOR TYPE	/	/	/	/
For Setting CEILING TYPE or FLOOR TYPE	FLOOR TYPE	CEILING TYPE		
Factory Setting	✓			

For Setting Fan Motor Control then No Power Request

SW2		
Mode	Fan OFF	Fan ON
Factory Setting	✓	

For Setting Auto-Restart

SW3		
Mode	ON	OFF
Factory Setting	✓	

For Setting Fan Quantity (optional)

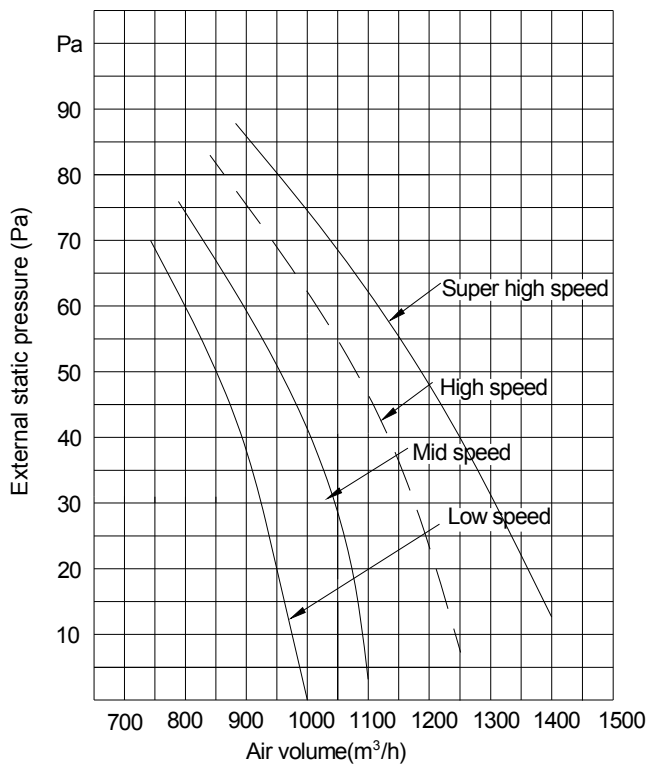
SW4		
Mode	Single Fan	Double Fan
Factory Setting	✓	

FUNCTION SETTING INDICATION

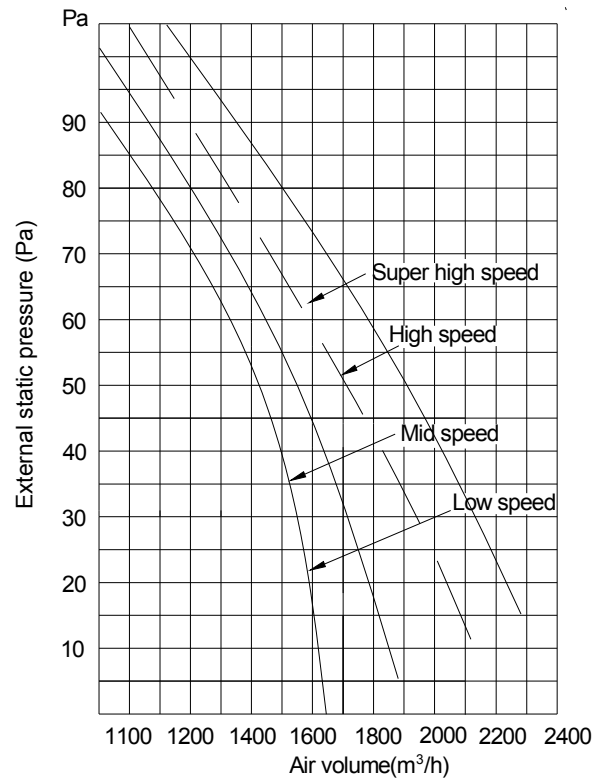
202070590737

5. Static Pressure

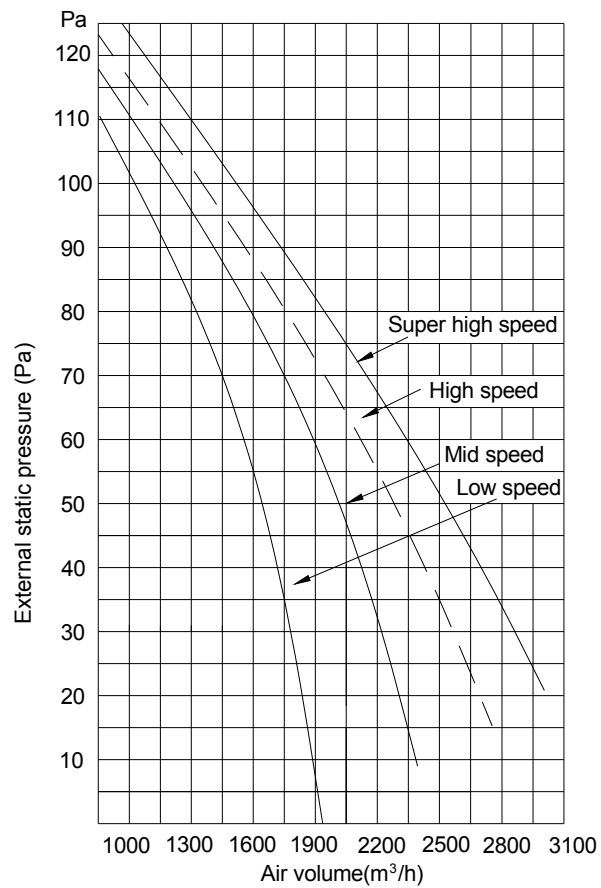
24,000Btu/h



36,000Btu/h



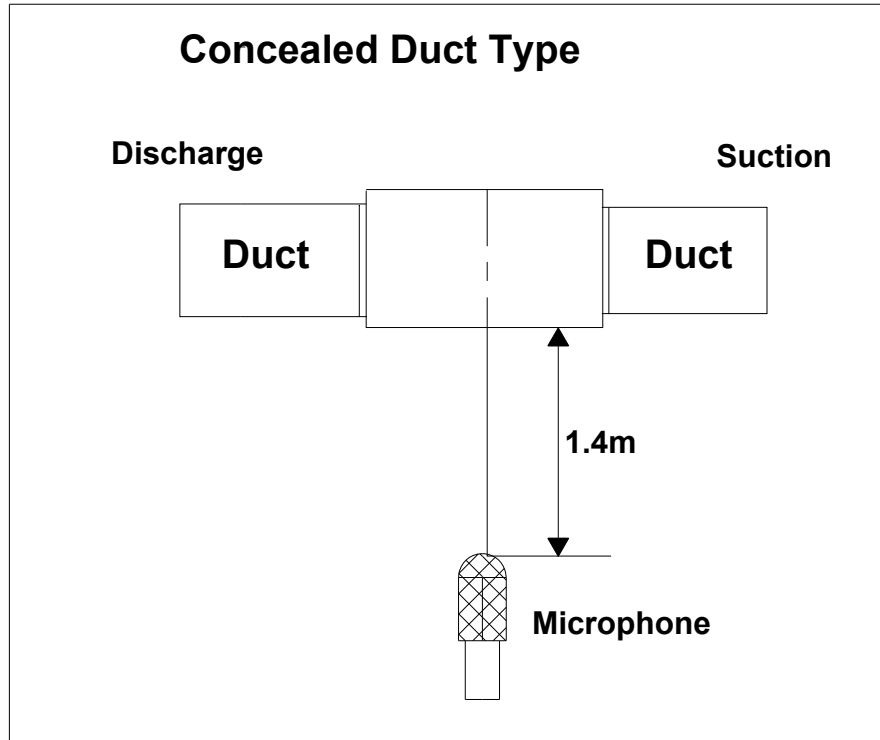
48,000Btu/h



6. Electric Characteristics

Model	Indoor Unit			
	Hz	Voltage	Min.	Max.
LIFHC24160P431	60	208-230V	187V	253V
LIFHC36160P431	60	208-230V	187V	253V
LIFHC48160P431	60	208-230V	187V	253V

7. Sound Level



Model	Noise level dB(A)		
	H	M	L
LIFHC024	50	47	43
LIFHC036	51	48	44
LIFHC048	49	46	43

8 The Specification of Power

Model		LIFHC0241609431	LIFHC036160P431	LIFHC048160P431
Power	Phase	1-phase	1-phase	1-phase
	Frequency and Voltage	208-230V, 60Hz	208-230V, 60Hz	208-230V, 60Hz
Circuit Breaker/ Fuse (A)		40/30	60/40	70/55
Indoor Unit Power Wiring (mm ²)		—————	—————	—————
Indoor/Outdoor Connecting Wiring	Ground Wiring	4.0	4.0	4.0
	Outdoor Unit Power Wiring	3×4.0	3×4.0	3×4.0
	Strong Electric Signal	3×1.5	3×1.5	3×1.5
	Weak Electric Signal	3×0.5	3×0.5	3×0.5

Please see data on Specifications as well

9 Field Wiring

LIFHC024, LIFHC036, LIFH048

